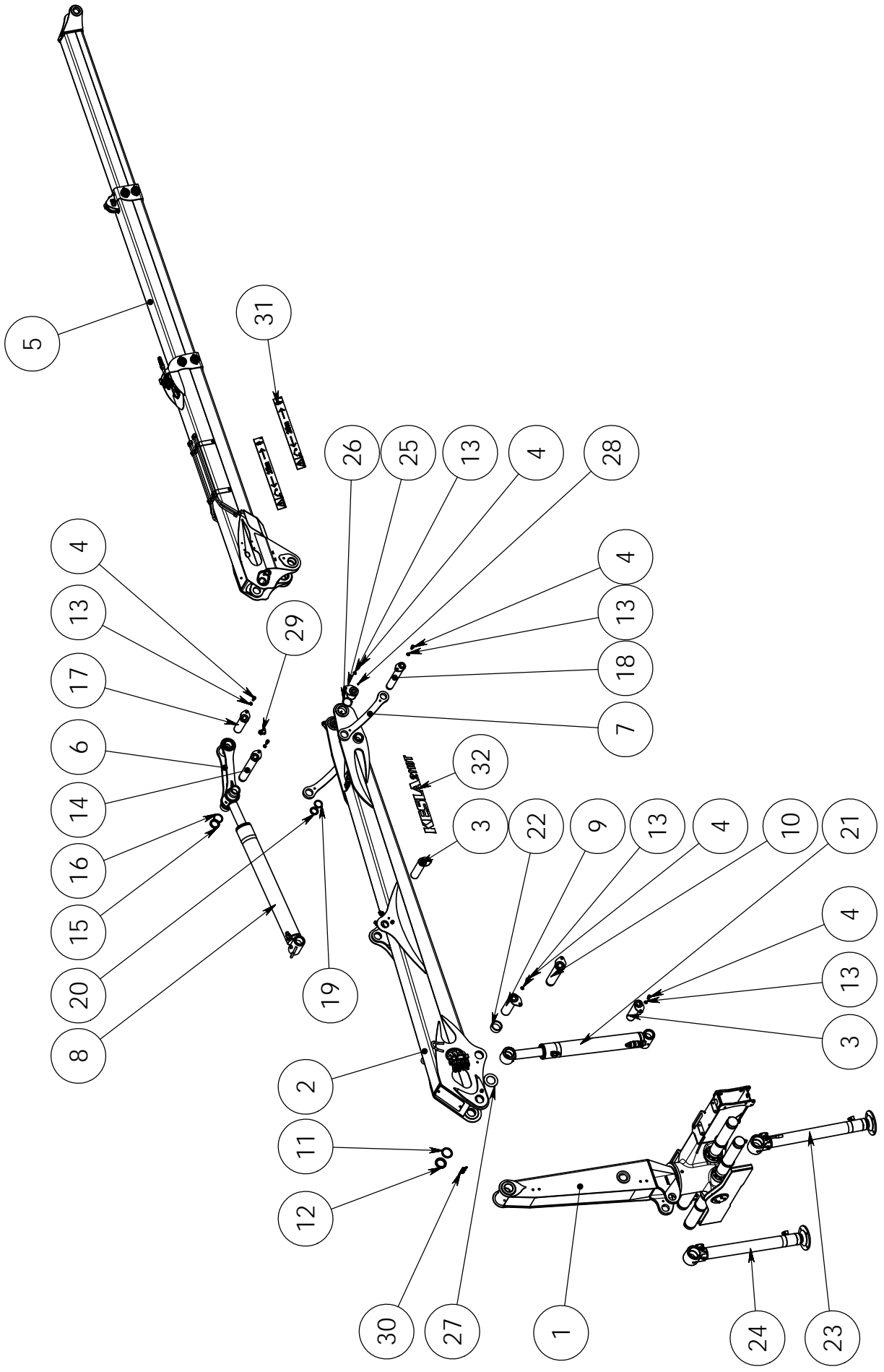


**KESLA 2110, 2110T****Sisällysluettelo \ Innehållsförteckning \ Contents \ Inhaltsverzeichnis**

|   |    |
|---|----|
| Pääkokoona-pano \ Sammansättning \ Final assembly \ Zusammensetzung .....   | 2  |
| Kääntölaite \ Vridanordning \ Slew mechanism \ Schwenkwerk .....  | 4  |
| Tukijalkavarustus \ Stödbensutrustning \ Stabilizers \ Stützfußbausrüstung .....  | 8  |
| Nostopuomi \ Lyftbom \ Main lifting boom \ Hubarm .....   | 10 |
| Siirtopuomisto \ Vipparm KESLA \ Outer boom \ Knickarm .....  | 16 |
| Vetotanko varusteltuna \ Dragstång \ Inner link assy \ Mittleres Gelenk .....   | 22 |
| Siirtopuomiston ketju \ Kedja \ Chain \ Kette kompl. \ 3x4 (87) .....   | 24 |
| Nostosylinteri varusteltuna \ Lyftcylinder utrustning \ Accessories for main lifting cylinder \<br>Ausrüstung für Hubzylinder .....     | 26 |
| Nostosylinteri \ Lyftcylinder \ Main lifting cylinder \ Hubzylinder .....   | 28 |
| Siirtosylinteri varusteltuna \ Vippcylinder utrustning \ Accessories for outer boom cylinder \<br>Ausrüstung für Knickarmzylinder ..... | 30 |
| Siirtosylinteri \ Vippcylinder \ Outer boom cylinder \ Knickarmzylinder .....   | 32 |
| Jatkeen sylinteri \ Utskjutscylinder \ Extension cylinder \ Ausschubzylinder \ .....  | 34 |
| Tukijalkojen levityssylinteri \ Spridningscylinder \ Spreading cylinder \ Ausshubzylinder für<br>Stützfüsse .....                       | 36 |
| Tukijalan sylinteri \ Stödbenscylinder \ Stabilizer cylinder \ Stützfußcylinder .....   | 38 |



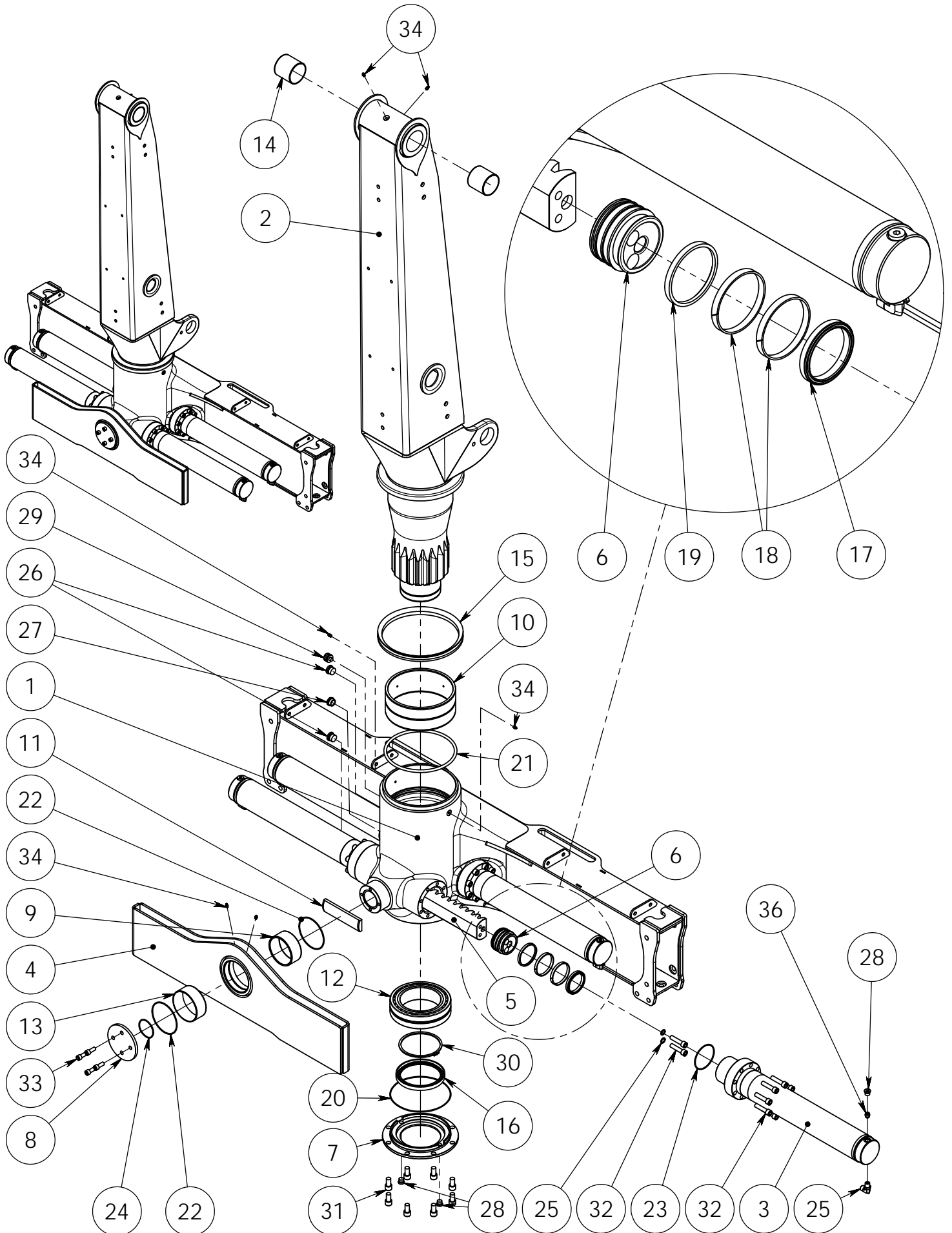


## SPARE PART LIST

|               |          |          |            |
|---------------|----------|----------|------------|
| Item code     | 90026542 | Revision | -          |
| Title         | CRANE    | Date     | 15.08.2013 |
| Specification | 2110T    |          |            |

| Pos | Item code | Title                 | Specification                      | Pc | Nto Weight |
|-----|-----------|-----------------------|------------------------------------|----|------------|
| 1   | 90026051  | SLEW MECHANISM        | 2109, 2110                         | 1  | 657.64     |
| 2   | 90026187  | LIFT BOOM             | L=4050 VAR                         | 1  | 292.97     |
| 3   | 90026057  | AXLE                  | 70 - 282 KOK                       | 2  | 6.51       |
| 4   | 3010700   | ALLEN SCREW           | M16X30 8.8ZN DIN 912               | 9  | 0          |
| 5   | 90026266  | OUTER BOOM            | L=5810 2-JATK                      | 1  | 366.74     |
| 6   | 90026176  | DRAW BAR              | VAR                                | 1  | 24.37      |
| 7   | 90026139  | LINK                  | HHS + KON                          | 2  | 7.93       |
| 8   | 90026403  | OUTER BOOM CYLINDER   | 125/80 X 1036 SIIRTOSYLINTERI 2110 | 1  | 87.54      |
| 9   | 90026183  | AXLE                  | 80 - 282 KOK                       | 1  | 8.28       |
| 10  | 90026246  | AXLE                  | 80 - 348 KOK                       | 1  | 10.01      |
| 11  | 90013697  | WASHER                | 100/81-6                           | 1  | 0.13       |
| 12  | 3020158   | NUT                   | KM15 NYLOC M75X2                   | 1  | 0.35       |
| 13  | 3030150   | WASHER                | M16 NORD LOCK                      | 9  | 0.01       |
| 14  | 90026250  | AXLE                  | 70 - 442 KOK                       | 1  | 9.95       |
| 15  | 3020157   | NUT                   | KM13 NYLOC M65X2.0                 | 1  | 0.26       |
| 16  | 90016000  | WASHER                | 85/71-6                            | 1  | 0.08       |
| 17  | 90026252  | AXLE                  | 70 - 235 KOK                       | 1  | 5.47       |
| 18  | 90026254  | AXLE                  | 60 - 442 KOK                       | 1  | 7.31       |
| 19  | 90013698  | WASHER                | 75/61-6                            | 1  | 0.07       |
| 20  | 3020164   | NUT                   | KM11 NYLOC M55X2.0                 | 1  | 0.17       |
| 21  | 90026402  | MAIN LIFTING CYLINDER | 120/80 X 810 NOSTOSYLINTERI 2110   | 1  | 72.29      |
| 22  | 90026222  | SLEEVE                | 95/81-45                           | 2  | 0.68       |
| 23  | 90026032  | STABILIZER            | 90/70X720 RIGHT                    | 1  | 66.29      |
| 24  | 90026033  | STABILIZER            | 90/70X720 LEFT                     | 1  | 66.29      |
| 25  | 90026248  | AXLE                  | 80-96 KOK                          | 2  | 3.39       |
| 26  | 3060094   | SNAP RING             | 80X4 DIN471                        | 2  | 0          |
| 27  | 90010011  | BEARING               | 130/80.5 - 5                       | 2  | 0.05       |
| 28  | 3050003   | GREASE NIPPLE         | M8X1,25 DIN 71412                  | 4  | 0          |
| 29  | 3091465   | CONNECTOR             | 6310-12-10                         | 1  | 0.3        |
| 30  | 3280507   | PLATE                 | 125X45X1 STICKER CE                | 1  | 0.03       |
| 31  | 3281135   | DECAL                 | VAARA-ALUE 25 M, 730X80            | 2  | 0.1        |
| 32  | 3281611   | DECAL                 | KESLA 2110T                        | 2  | 0.06       |

90026051  
SLEW MECHANISM



|               |                |          |            |
|---------------|----------------|----------|------------|
| Item code     | 90026051       | Revision | A          |
| Title         | SLEW MECHANISM | Date     | 24.01.2013 |
| Specification | 2109, 2110     |          |            |

| Pos | Item code | Title               | Specification         | Pc | Nto Weight |
|-----|-----------|---------------------|-----------------------|----|------------|
| 1   | 90026024  | SLEW MECHANISM      | RUNKO HITS            | 1  | 243.41     |
| 2   | 90026038  | PILLAR              | HITS+KON              | 1  | 242.17     |
| 3   | 90024152  | CYLINDER            | 105/90-762            | 4  | 17.2       |
| 4   | 90021823  | PENDULUM            | HITS+KON              | 1  | 34.42      |
| 5   | 90026584  | RACK BAR            |                       | 2  | 20.24      |
| 6   | 90026585  | PISTON              |                       | 4  | 1.89       |
| 7   | 90021820  | FLANGE              | 280/150-28            | 1  | 4          |
| 8   | 90020845  | FLANGE              | 145X90-10             | 1  | 1.25       |
| 9   | 90020846  | SLEEVE              | 120/110-50            | 1  | 0.7        |
| 10  | 90012821  | BEARING             | 260/240-100           | 1  | 0.88       |
| 11  | 90026037  | BUSHING             | 17,5X50-189           | 2  | 0.17       |
| 12  | 3100331   | ROLLER BEARING      | 23030CC/W33           | 1  | 7.45       |
| 13  | 3100218   | BUSHING             | WB 802 12050          | 1  | 0.38       |
| 14  | 3100187   | BUSHING             | WB 802 8080           | 2  | 0.41       |
| 15  | 3110930   | SEAL                | VA-300                | 1  | 1.63       |
| 16  | 3110565   | SHAFT SEAL          | 150X180X15 RST        | 1  | 0.5        |
| 17  | 3110636   | PISTON SEAL         | B7 90/75X12           | 4  | 0.16       |
| 18  | 3110863   | PISTON GUIDE        | 90/85X9.7             | 8  | 0.05       |
| 19  | 3110638   | WIPER SEAL          | PPW 90/81.4X5.3       | 4  | 0.05       |
| 20  | 3110771   | O-RING              | 219.5X3.0 70 SHORE    | 1  | 0.04       |
| 21  | 3110938   | SEAL                | OR 250X10 70SHORE     | 1  | 0.5        |
| 22  | 3110461   | O-RING              | 124.5X3.0 70 SHORE    | 2  | 0.02       |
| 23  | 3110639   | O-RING              | 96X3.0 70 SHORE       | 4  | 0.02       |
| 24  | 3110631   | O-RING              | 69.5X3.0              | 1  | 0.01       |
| 25  | 3030080   | WASHER              | M14 KUPARIALUSLEVY    | 8  | 0          |
| 26  | 3090630   | CONNECTOR (ANGLE)   | 6310-06-08            | 4  | 0.1        |
| 27  | 3090209   | PLUG                |                       | 2  | 0.08       |
| 28  | 3090294   | OIL LEVEL INDICATOR |                       | 1  | 0.01       |
| 29  | 3090210   | PLUG                |                       | 6  | 0.03       |
| 30  | 3091042   | BREATHER            |                       | 1  | 0.11       |
| 31  | 3060076   | SNAP RING           | AS 150X4 DIN 471      | 1  | 0          |
| 32  | 3010700   | ALLEN SCREW         | M16X30 8.8 ZN DIN 912 | 8  | 0          |
| 33  | 3010601   | ALLEN SCREW         | M14X60 12.9 DIN 912   | 40 | 0          |
| 34  | 3010246   | ALLEN SCREW         | M12X30 8.8 ZN DIN 912 | 4  | 0          |
| 35  | 3050003   | GREASE NIPPLE       | M8X1,25 DIN 71412     | 6  | 0          |
| 36  | 3120363   | CHECK VALVE         |                       | 4  | 0.02       |

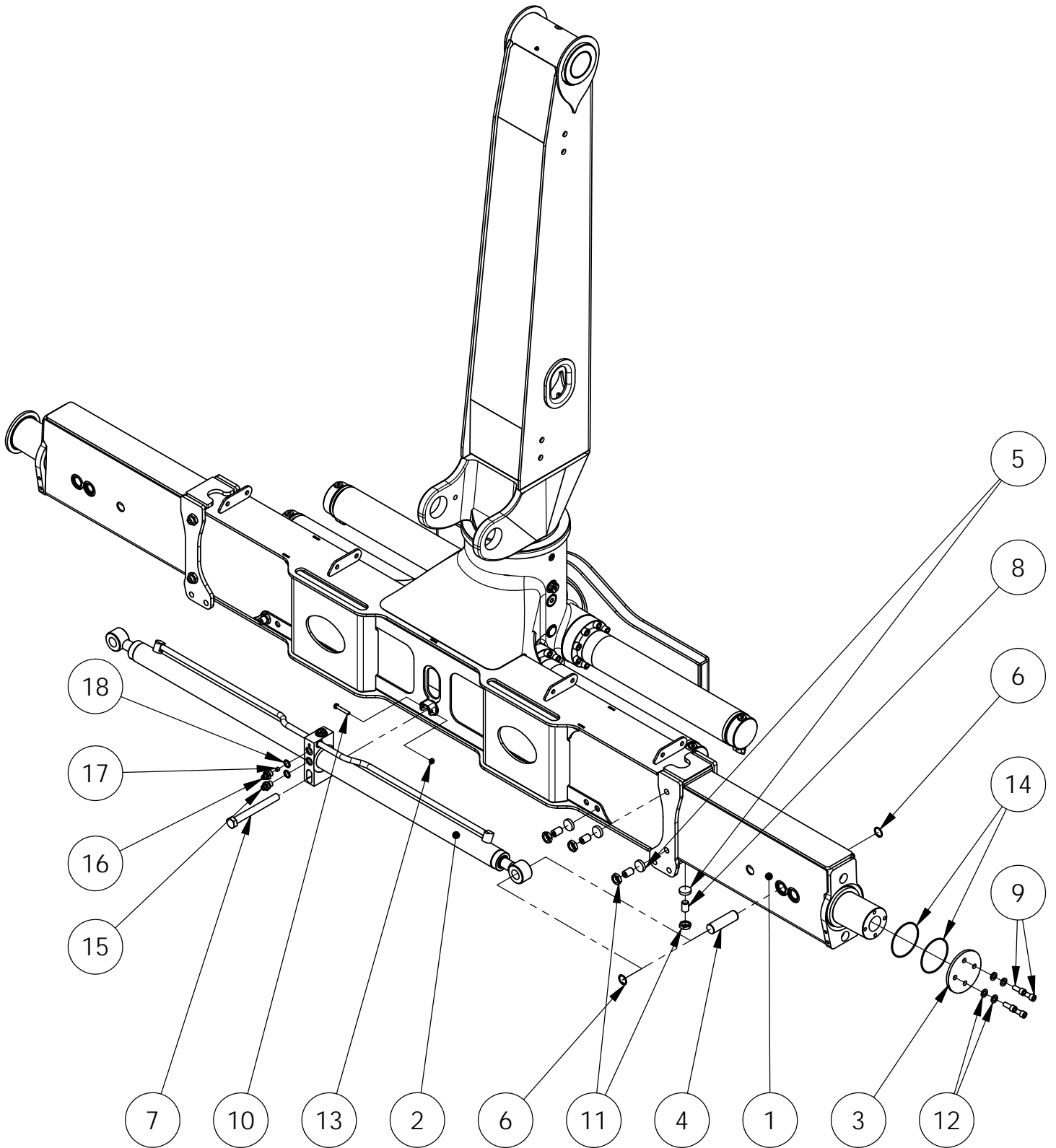
|               |                |          |            |
|---------------|----------------|----------|------------|
| Item code     | 90026051       | Revision | A          |
| Title         | SLEW MECHANISM | Date     | 24.01.2013 |
| Specification | 2109, 2110     |          |            |

| Pos | Item code | Title    | Specification   | Pc | Nto Weight |
|-----|-----------|----------|-----------------|----|------------|
| 40  | 3111116   | SEAL KIT | 90 SHORT PISTON | 1  | 0          |



90026052

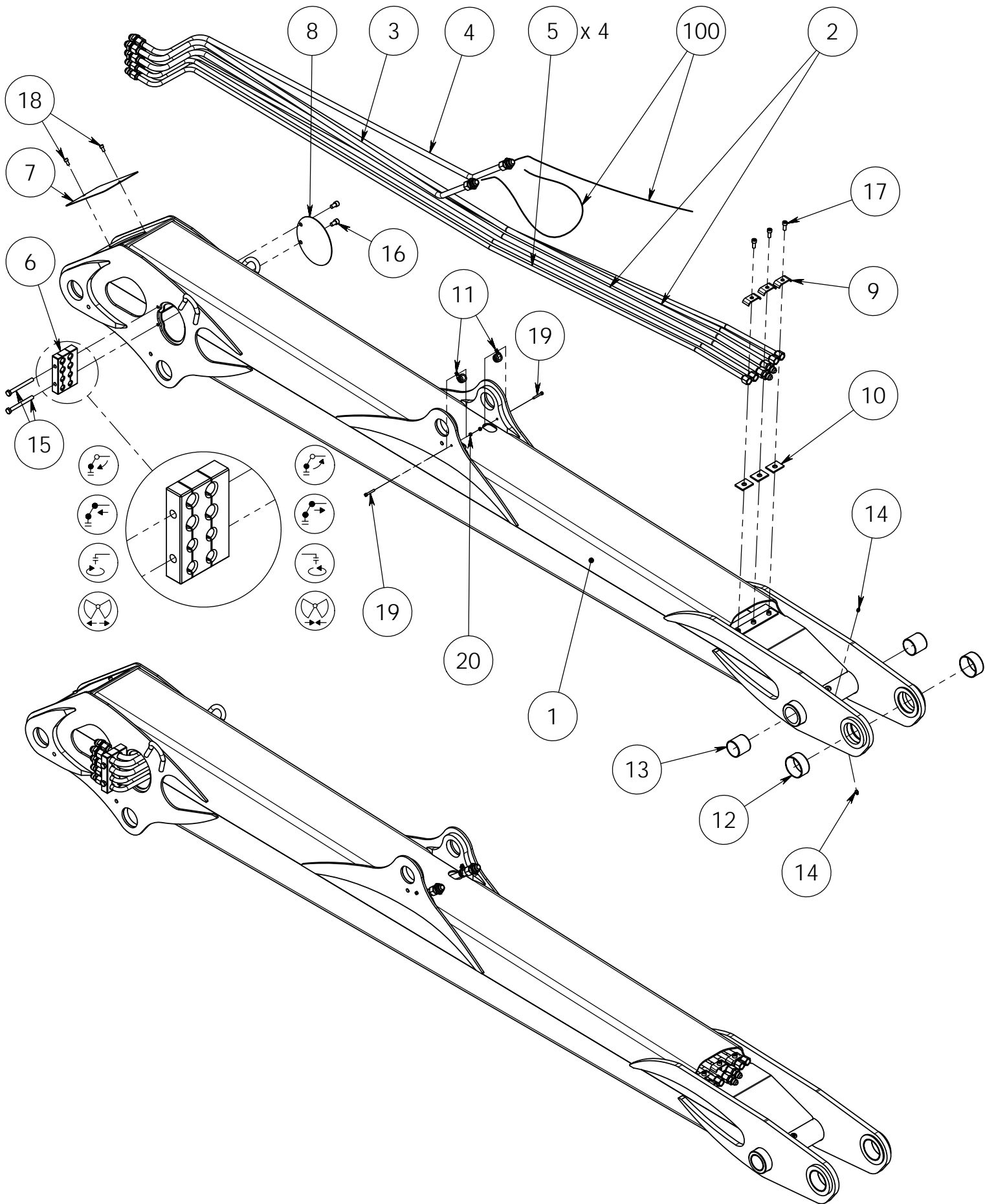
SLEW MECHANISM WITH STABILIZER





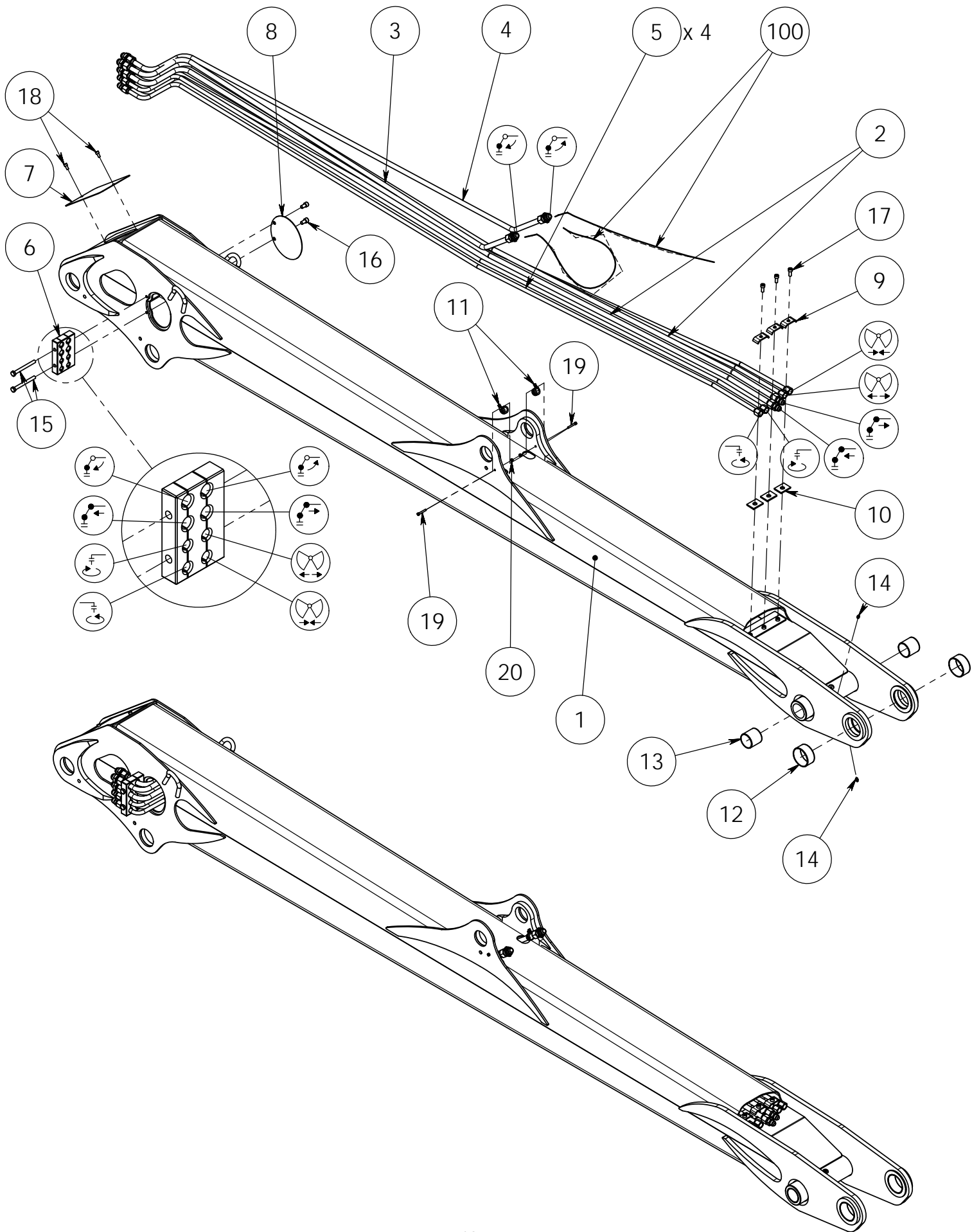
|               |                 |          |            |
|---------------|-----------------|----------|------------|
| Item code     | 90026052        | Revision | -          |
| Title         | SLEW MECHANISM  | Date     | 28.01.2013 |
| Specification | WITH STABILIZER |          |            |

| Pos | Item code | Title       | Specification          | Pc | Nto Weight |
|-----|-----------|-------------|------------------------|----|------------|
| 1   | 90025449  | CONTROL ARM | HITS                   | 2  | 40.35      |
| 2   | 28862001  | CYLINDER    | 50/30X2X600            | 1  | 16.69      |
| 3   | 90011250  | FLANGE      | 135 - 8                | 2  | 0.86       |
| 4   | 90013050  | AXLE        | 30-102                 | 2  | 0.57       |
| 5   | 90020807  | GLIDE PAD   | 35 - 8                 | 8  | 0.01       |
| 6   | 3060019   | SNAP RING   | 30 DIN 472             | 4  | 0          |
| 7   | 3010224   | HEW SCREW   | M20X180 8.8 ZN DIN 931 | 1  | 0          |
| 8   | 3010312   | ALLEN SCREW | M20X30 10.9 ZN DIN 913 | 8  | 0          |
| 9   | 3010246   | ALLEN SCREW | M12X30 8.8 ZN DIN 912  | 8  | 0          |
| 10  | 3010072   | HEW SCREW   | M8X50 8.8 ZN DIN 931   | 1  | 0          |
| 11  | 3020014   | NUT         | M20 ZN DIN 936         | 8  | 0          |
| 12  | 3030047   | WASHER      | M12/13 ZN DIN 126      | 8  | 0.01       |
| 13  | 3020001   | NUT         | M8 ZN DIN 985          | 1  | 0.01       |
| 14  | 3110259   | O-RING      | 104.5X3 90 SHORE       | 4  | 0.02       |
| 15  | 3090901   | CONNECTOR   | 6010-06-06             | 1  | 0.05       |
| 16  | 21510224  | CONNECTOR   | RESTRICTOR CASING      | 1  | 0.05       |
| 17  | 21510226  | RESTRICTOR  | M10X10/D=1.5           | 1  | 0          |
| 18  | 3110040   | USIT-SEAL   | R-06 R 3/8"            | 2  | 0          |



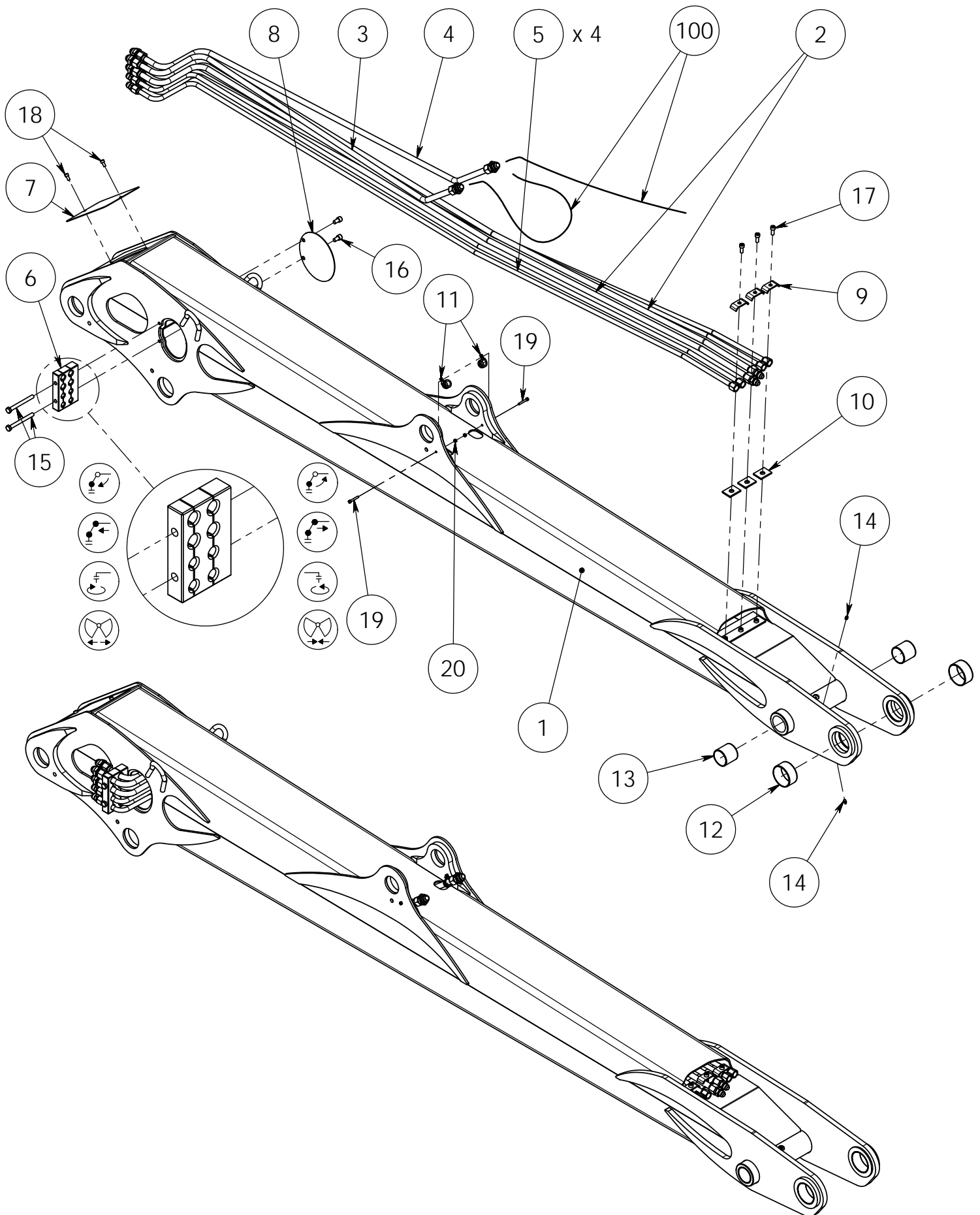
|               |            |          |            |
|---------------|------------|----------|------------|
| Item code     | 90026187   | Revision | A          |
| Title         | LIFT BOOM  | Date     | 10.04.2013 |
| Specification | L=4050 VAR |          |            |

| Pos | Item code | Title          | Specification                           | Pc | Nto Weight |
|-----|-----------|----------------|---|----|------------|
| 1   | 90026080  | LIFT BOOM      | L=4050                                  | 1  | 266.66     |
| 2   | 90026218  | HYDRAULIC PIPE | 1 KOK                                   | 2  | 3.97       |
| 3   | 90026201  | HYDRAULIC PIPE | 2 OIKEA KOK                             | 1  | 2.52       |
| 4   | 90026405  | HYDRAULIC PIPE | 3 OIKEA KOK                             | 1  | 2.52       |
| 5   | 90026221  | HYDRAULIC PIPE | 4 KOK                                   | 4  | 2.46       |
| 6   | 90026188  | FASTENER       | 2109, 2110                              | 1  | 1.11       |
| 7   | 90023441  | COVER          |   | 1  | 0.76       |
| 8   | 90025045  | COVER          |   | 1  | 0.44       |
| 9   | 90010442  | FASTENER       | LT4X30-72                               | 3  | 0.07       |
| 10  | 90010443  | RUBBER         | 5X55-40                                 | 3  | 0.01       |
| 11  | 3090162   | CONNECTOR      |   | 2  | 0.04       |
| 12  | 3100258   | BUSHING        | WB 802 8040                             | 2  | 0.2        |
| 13  | 3100194   | BUSHING        | WB 802 6060                             | 2  | 0.23       |
| 14  | 3050003   | GREASE NIPPLE  | M8X1,25 DIN 71412                       | 2  | 0          |
| 15  | 3010122   | HEW SCREW      | M12X120 8.8 ZN DIN 931                  | 2  | 0          |
| 16  | 3010604   | ALLEN SCREW    | M12X20 8.8 DIN 912                      | 2  | 0          |
| 17  | 3010685   | ALLEN SCREW    | M10X25 8.8 ZN DIN 912                   | 3  | 0          |
| 18  | 3010292   | ALLEN SCREW    | M8X16 8.8 ZN DIN 912                    | 2  | 0          |
| 19  | 3010583   | ALLEN SCREW    | M6X40 8.8 ZN DIN 912                    | 2  | 0          |
| 20  | 3020061   | NUT            | M6 ZN DIN 985                           | 2  | 0          |
| 100 | 3133314   | HYDRAULIC HOSE | A50064-12-12/712L-12/A50005-12-12/L=920 | 2  | 0          |



|               |            |          |            |
|---------------|------------|----------|------------|
| Item code     | 90026434   | Revision | -          |
| Title         | LIFT BOOM  | Date     | 05.06.2013 |
| Specification | L=4550 VAR |          |            |

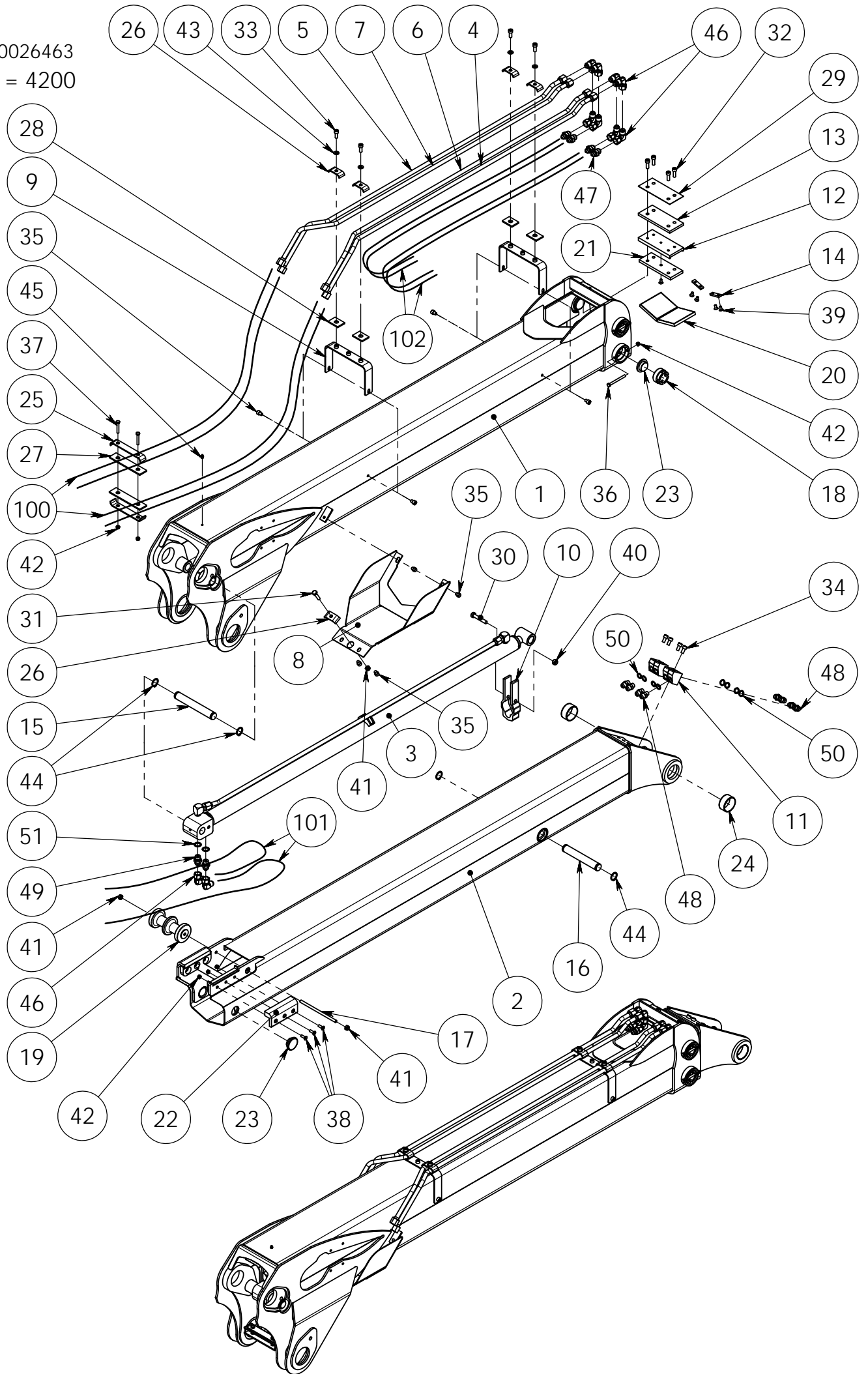
| Pos | Item code | Title          | Specification                           | Pc | Nto Weight |
|-----|-----------|----------------|---|----|------------|
| 1   | 90026435  | LIFT BOOM      | L=4550                                  | 1  | 291.09     |
| 2   | 90026447  | HYDRAULIC PIPE | 1 OIKEA KOK                             | 2  | 4.51       |
| 3   | 90026449  | HYDRAULIC PIPE | 2 OIKEA KOK                             | 1  | 3.06       |
| 4   | 90026451  | HYDRAULIC PIPE | 3 OIKEA KOK                             | 1  | 3.06       |
| 5   | 90026453  | HYDRAULIC PIPE | 4 KOK                                   | 4  | 2.8        |
| 6   | 90026188  | FASTENER       | 2109, 2110                              | 1  | 1.11       |
| 7   | 90023441  | COVER          |   | 1  | 0.76       |
| 8   | 90025045  | COVER          |   | 1  | 0.44       |
| 9   | 90010442  | FASTENER       | LT4X30-72                               | 3  | 0.07       |
| 10  | 90010443  | RUBBER         | 5X55-40                                 | 3  | 0.01       |
| 11  | 3090162   | CONNECTOR      |   | 2  | 0.04       |
| 12  | 3100258   | BUSHING        | WB 802 8040                             | 2  | 0.2        |
| 13  | 3100194   | BUSHING        | WB 802 6060                             | 2  | 0.23       |
| 14  | 3050003   | GREASE NIPPLE  | M8X1,25 DIN 71412                       | 2  | 0          |
| 15  | 3010122   | HEW SCREW      | M12X120 8.8 ZN DIN 931                  | 2  | 0          |
| 16  | 3010604   | ALLEN SCREW    | M12X20 8.8 DIN 912                      | 2  | 0          |
| 17  | 3010685   | ALLEN SCREW    | M10X25 8.8 ZN DIN 912                   | 3  | 0          |
| 18  | 3010292   | ALLEN SCREW    | M8X16 8.8 ZN DIN 912                    | 2  | 0          |
| 19  | 3010583   | ALLEN SCREW    | M6X40 8.8 ZN DIN 912                    | 2  | 0          |
| 20  | 3020061   | NUT            | M6 ZN DIN 985                           | 2  | 0          |
| 100 | 3133314   | HYDRAULIC HOSE | A50064-12-12/712L-12/A50005-12-12/L=920 | 2  | 0          |



|               |            |          |            |
|---------------|------------|----------|------------|
| Item code     | 90026503   | Revision | -          |
| Title         | LIFT BOOM  | Date     | 05.07.2013 |
| Specification | L=3950 VAR |          |            |

| Pos | Item code | Title          | Specification                           | Pc | Nto Weight |
|-----|-----------|----------------|---|----|------------|
| 1   | 90026504  | LIFT BOOM      | L=3950                                  | 1  | 262.53     |
| 2   | 90026505  | HYDRAULIC PIPE | 1 OIKEA KOK                             | 2  | 3.86       |
| 3   | 90026508  | HYDRAULIC PIPE | 2 OIKEA KOK                             | 1  | 2.41       |
| 4   | 90026510  | HYDRAULIC PIPE | 3 OIKEA KOK                             | 1  | 2.41       |
| 5   | 90026511  | HYDRAULIC PIPE | 4 KOK                                   | 4  | 2.39       |
| 6   | 90026188  | FASTENER       | 2109, 2110                              | 1  | 1.11       |
| 7   | 90023441  | COVER          |   | 1  | 0.76       |
| 8   | 90025045  | COVER          |   | 1  | 0.44       |
| 9   | 90010442  | FASTENER       | LT4X30-72                               | 3  | 0.07       |
| 10  | 90010443  | RUBBER         | 5X55-40                                 | 3  | 0.01       |
| 11  | 3090162   | CONNECTOR      |   | 2  | 0.04       |
| 12  | 3100258   | BUSHING        | WB 802 8040                             | 2  | 0.2        |
| 13  | 3100194   | BUSHING        | WB 802 6060                             | 2  | 0.23       |
| 14  | 3050003   | GREASE NIPPLE  | M8X1,25 DIN 71412                       | 2  | 0          |
| 15  | 3010122   | HEW SCREW      | M12X120 8.8 ZN DIN 931                  | 2  | 0          |
| 16  | 3010604   | ALLEN SCREW    | M12X20 8.8 DIN 912                      | 2  | 0          |
| 17  | 3010685   | ALLEN SCREW    | M10X25 8.8 ZN DIN 912                   | 3  | 0          |
| 18  | 3010292   | ALLEN SCREW    | M8X16 8.8 ZN DIN 912                    | 2  | 0          |
| 19  | 3010583   | ALLEN SCREW    | M6X40 8.8 ZN DIN 912                    | 2  | 0          |
| 20  | 3020061   | NUT            | M6 ZN DIN 985                           | 2  | 0          |
| 100 | 3133314   | HYDRAULIC HOSE | A50064-12-12/712L-12/A50005-12-12/L=920 | 2  | 0          |

90026463  
L = 4200





|               |                |          |            |
|---------------|----------------|----------|------------|
| Item code     | 90026463       | Revision | B          |
| Title         | OUTER BOOM     | Date     | 03.07.2013 |
| Specification | L= 4200 1-JATK |          |            |

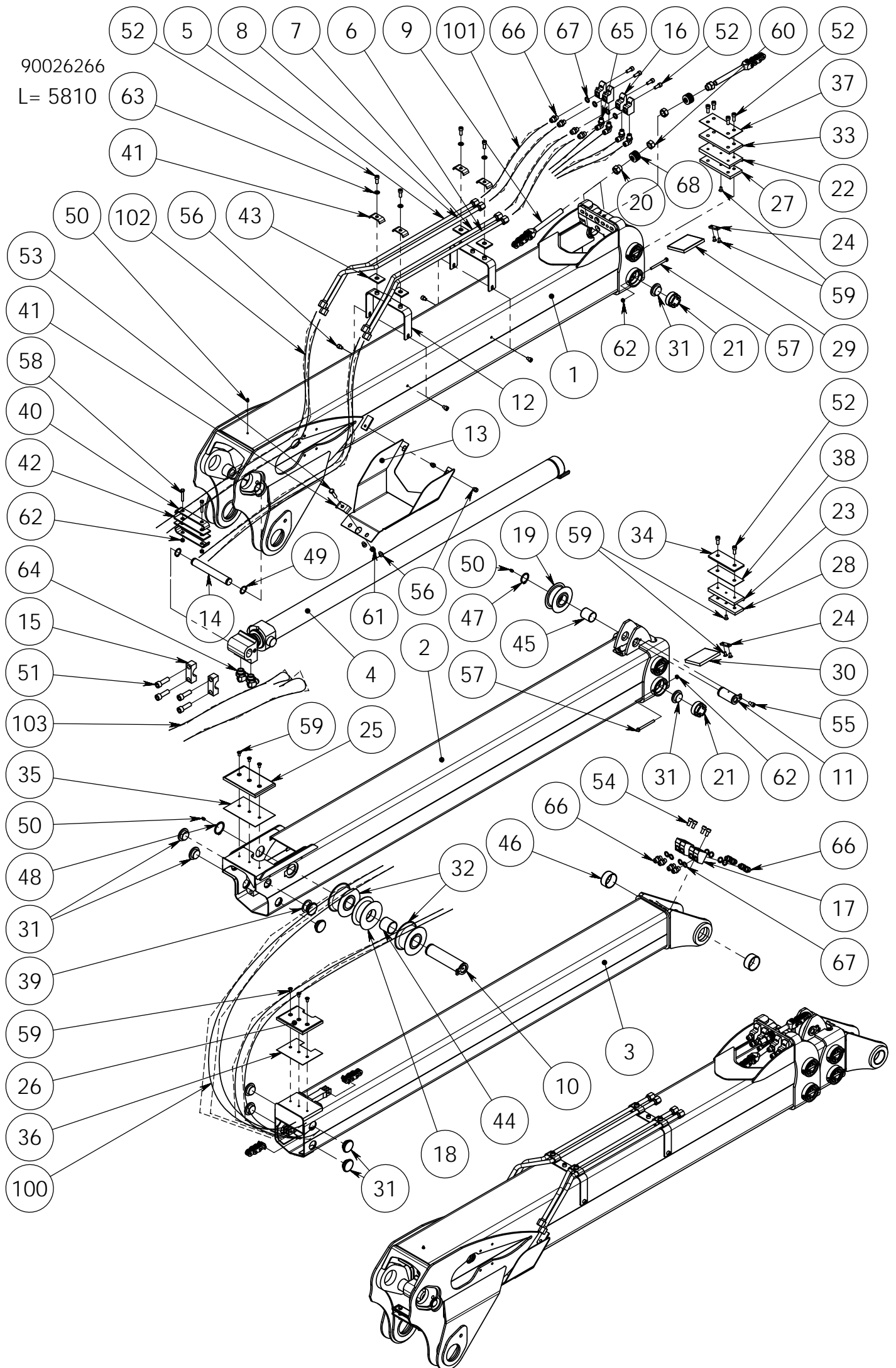
| Pos | Item code | Title              | Specification         | Pc | Nto Weight |
|-----|-----------|--------------------|-----------------------|----|------------|
| 1   | 90026456  | OUTER BOOM         | L=2340                | 1  | 138.23     |
| 2   | 90026467  | EXTENSION          | L= 2650               | 1  | 83.1       |
| 3   | 28965001  | EXTENSION CYLINDER | 50/30X1600            | 1  | 29.39      |
| 4   | 90026488  | PIPE               | 1 OIKEA KOK           | 1  | 1.28       |
| 5   | 90026492  | PIPE               | 1 VASEN KOK           | 1  | 1.28       |
| 6   | 90026490  | PIPE               | 2 OIKEA KOK           | 1  | 1.28       |
| 7   | 90026494  | PIPE               | 2 VASEN KOK           | 1  | 1.28       |
| 8   | 90026361  | COVER              | HITS                  | 1  | 3.41       |
| 9   | 90025729  | FASTENER           | L=224 HITS            | 2  | 0.61       |
| 10  | 90017083  | SUPPORT            | NURJAHDUSTUKI         | 1  | 1.09       |
| 11  | 90026319  | CONNECTOR          | R 3/8"                | 4  | 0.42       |
| 12  | 90020556  | FASTENER           | L-180                 | 1  | 1.18       |
| 13  | 90023238  | PLATE              |                       | 1  | 1.09       |
| 14  | 90010345  | HOLDER             |                       | 2  | 0.03       |
| 15  | 90017084  | AXLE               | 30-214                | 1  | 1.18       |
| 16  | 90021934  | AXLE               | 30X196                | 1  | 1.08       |
| 17  | 90026498  | PIN BOLT           | M10 - 203             | 1  | 0.12       |
| 18  | 90016090  | FASTENER           |                       | 4  | 0.35       |
| 19  | 90026482  | ROLL               |                       | 1  | 0.42       |
| 20  | 90020562  | GLIDE PAD          | 120X100               | 2  | 0.17       |
| 21  | 90020563  | GLIDE PAD          | 70X180                | 1  | 0.17       |
| 22  | 90026500  | GLIDE PAD          | L=150                 | 2  | 0.2        |
| 23  | 90011001  | GLIDE PAD          | D=55-19/7             | 6  | 0.03       |
| 24  | 3100225   | BUSHING            | WB 802 6030           | 2  | 0.11       |
| 25  | 21039336  | PIPE CLAMP         | LT4X30-191            | 2  | 0.17       |
| 26  | 90010442  | FASTENER           | LT4X30-72             | 5  | 0.07       |
| 27  | 90019549  | RUBBER             | 5X40-175              | 2  | 0.26       |
| 28  | 90010443  | RUBBER             | 5X55-40               | 4  | 0.01       |
| 29  | 90020567  | PLATE              | 80X180                | 1  | 0.11       |
| 30  | 3010152   | HEW SCREW          | M12X70 8.8 ZN DIN 931 | 1  | 0          |
| 31  | 3010159   | HEW SCREW          | M10X45 8.8 ZN DIN 931 | 1  | 0          |
| 32  | 3010248   | ALLEN SCREW        | M10X30 8.8 ZN DIN 912 | 4  | 0          |
| 33  | 3010685   | ALLEN SCREW        | M10X25 8.8 ZN DIN 912 | 4  | 0          |
| 34  | 3010192   | ALLEN SCREW        | M10X20 8.8 ZN DIN 912 | 4  | 0          |
| 35  | 3010297   | ALLEN SCREW        | M10X12 8.8 ZN DIN 912 | 8  | 0          |
| 36  | 3010328   | HEW SCREW          | M8X90 8.8 ZN DIN 931  | 4  | 0          |

|               |                |          |            |
|---------------|----------------|----------|------------|
| Item code     | 90026463       | Revision | B          |
| Title         | OUTER BOOM     | Date     | 03.07.2013 |
| Specification | L= 4200 1-JATK |          |            |

| Pos | Item code | Title          | Specification                              | Pc | Nto Weight |
|-----|-----------|----------------|--|----|------------|
| 37  | 3010072   | HEW SCREW      | M8X50 8.8 ZN DIN 931                       | 2  | 0          |
| 38  | 3010300   | ALLEN SCREW    | M8X25 10.9 ZN DIN 7991                     | 6  | 0          |
| 39  | 3010190   | ALLEN SCREW    | M8X16 10.9 DIN 7991                        | 5  | 0          |
| 40  | 3020005   | NUT            | M12 ZN DIN 985                             | 1  | 0.02       |
| 41  | 3020004   | NUT            | M10 ZN DIN 985                             | 3  | 0.01       |
| 42  | 3020001   | NUT            | M8 ZN DIN 985                              | 12 | 0.01       |
| 43  | 3030003   | WASHER         | M10/11 ZN DIN 126                          | 4  | 0          |
| 44  | 3060092   | SNAP RING      | AS 30X2 ZN DIN 471                         | 4  | 0          |
| 45  | 3050003   | GREASE NIPPLE  | M8X1,25 DIN 71412                          | 1  | 0          |
| 46  | 3091183   | CONNECTOR      | 1130-10-10                                 | 10 | 0.19       |
| 47  | 3090907   | CONNECTOR      | 1010-08-10                                 | 4  | 0.1        |
| 48  | 3090604   | CONNECTOR      | 6010-06-08                                 | 8  | 0.07       |
| 49  | 3090289   | CONNECTOR      | 29-6010-08-10                              | 2  | 0.11       |
| 50  | 3110040   | USIT-SEAL      | R-06 R 3/8"                                | 8  | 0          |
| 51  | 3110042   | USIT-SEAL      | R-08 R 1/2"                                | 2  | 0.01       |
| 100 | 3133306   | HYDRAULIC HOSE | 500200-10-08/241T-08/500200-10-08/L=1300   | 4  | 0          |
| 101 | 3133317   | HYDRAULIC HOSE | A50005-10-08/241T-08/A50005-10-08/L=1400   | 2  | 0          |
| 102 | 3133342   | HYDRAULIC HOSE | A50005-08-06/23-111-06/A50005-08-06/L=4600 | 2  | 0          |

90026266

L= 5810

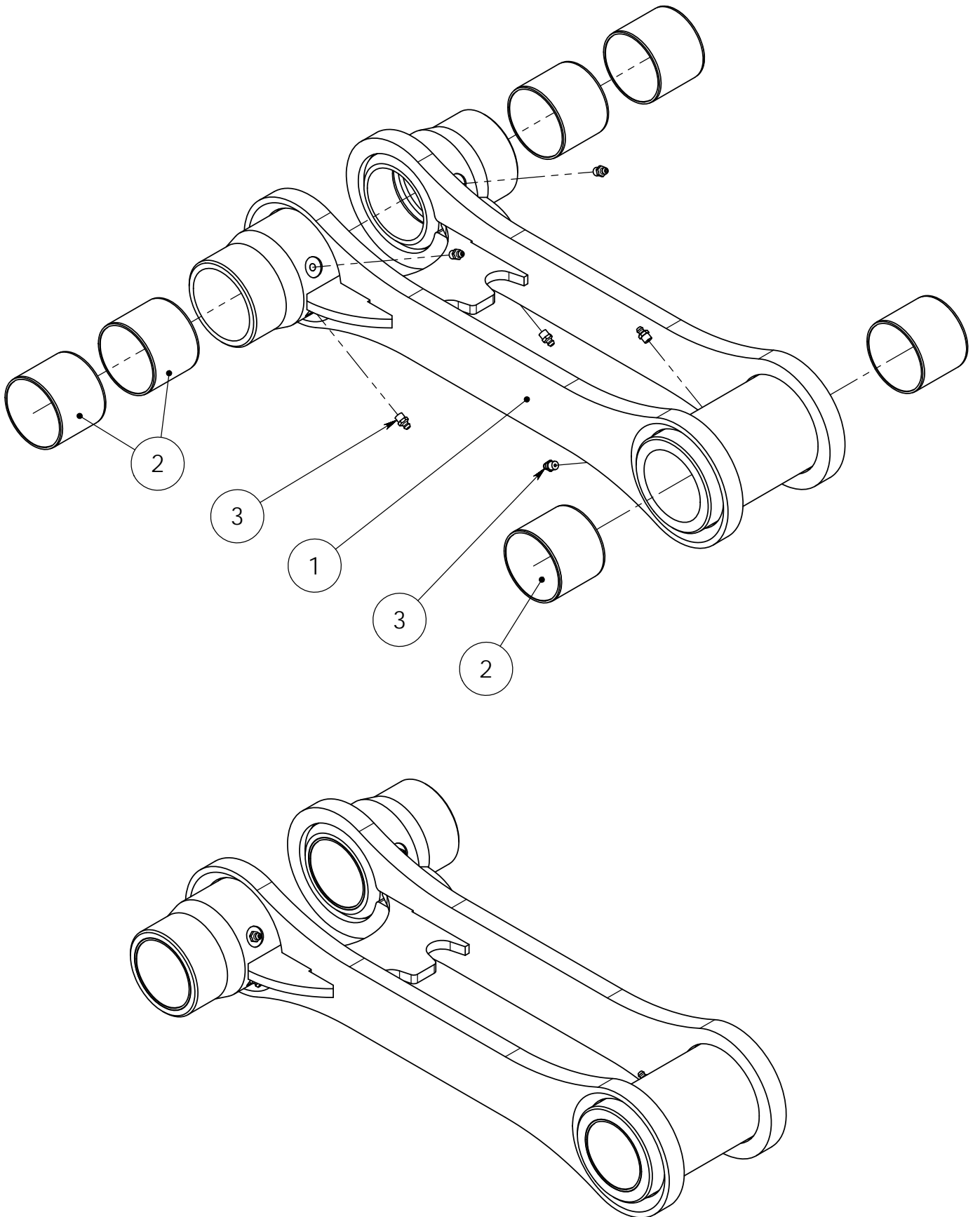


|               |               |          |            |
|---------------|---------------|----------|------------|
| Item code     | 90026266      | Revision | G          |
| Title         | OUTER BOOM    | Date     | 26.03.2013 |
| Specification | L=5810 2-JATK |          |            |

| Pos | Item code | Title              | Specification         | Pc | Nto Weight |
|-----|-----------|--------------------|-----------------------|----|------------|
| 1   | 90026109  | OUTER BOOM         | L=2240                | 1  | 135.41     |
| 2   | 90026295  | EXTENSION 1        | L= 2450               | 1  | 77.03      |
| 3   | 90026308  | EXTENSION          | 2 HITS                | 1  | 68.51      |
| 4   | 28960001  | EXTENSION CYLINDER | 75/50X1600            | 1  | 48.62      |
| 5   | 90026257  | PIPE               | 1 VASEN KOK           | 1  | 0.78       |
| 6   | 90026191  | PIPE               | 1 OIKEA KOK           | 1  | 0.78       |
| 7   | 90026338  | PIPE               | 2 OIKEA KOK           | 1  | 0.78       |
| 8   | 90026340  | PIPE               | 2 VASEN KOK           | 1  | 0.78       |
| 9   | 90026335  | CHAIN              | 3X4 (81 LENKKIÄ ) KOK | 2  | 0.94       |
| 10  | 90026304  | AXLE               | 50 - 203 HITS         | 1  | 3.02       |
| 11  | 90023021  | AXLE               | 40-88                 | 1  | 0.82       |
| 12  | 90025729  | FASTENER           | L=224 HITS            | 2  | 0.61       |
| 13  | 90026361  | COVER              | HITS                  | 1  | 3.4        |
| 14  | 90017084  | AXLE               | 30-214                | 1  | 1.18       |
| 15  | 90019106  | COVER              |                       | 2  | 0.37       |
| 16  | 90023027  | CONNECTOR          | R 3/8"                | 4  | 0.31       |
| 17  | 90026319  | CONNECTOR          | R 3/8"                | 4  | 0.42       |
| 18  | 90026300  | WHEEL              | 100                   | 1  | 2.61       |
| 19  | 90021697  | WHEEL              | R1", 3X4, D90         | 1  | 1.96       |
| 20  | 90017520  | NUT                | M20-30                | 2  | 0.09       |
| 21  | 90016090  | FASTENER           |                       | 8  | 0.35       |
| 22  | 90020556  | FASTENER           | L-180                 | 1  | 1.18       |
| 23  | 90023050  | FASTENER           |                       | 1  | 0.77       |
| 24  | 90010345  | HOLDER             |                       | 4  | 0.03       |
| 25  | 90020561  | GLIDE PAD          | 120X190               | 1  | 0.31       |
| 26  | 90014887  | GLIDE PAD          | 120X155               | 1  | 0.24       |
| 27  | 90020563  | GLIDE PAD          | 70X180                | 1  | 0.17       |
| 28  | 90023052  | GLIDE PAD          | 12X50X155             | 1  | 0.08       |
| 29  | 90020562  | GLIDE PAD          | 120X100               | 2  | 0.17       |
| 30  | 90014768  | GLIDE PAD          | 12 X 90 X 120         | 2  | 0.15       |
| 31  | 90011001  | GLIDE PAD          | D=55-19/7             | 16 | 0.03       |
| 32  | 90026299  | ROLL               | 105                   | 2  | 0.51       |
| 33  | 90023238  | PLATE              |                       | 1  | 1.09       |
| 34  | 90023239  | PLATE              |                       | 1  | 0.43       |
| 35  | 90020566  | PLATE              | 119X190               | 1  | 0.18       |
| 36  | 90017085  | PLATE              | 119X155               | 1  | 0.13       |

|               |               |          |            |
|---------------|---------------|----------|------------|
| Item code     | 90026266      | Revision | G          |
| Title         | OUTER BOOM    | Date     | 26.03.2013 |
| Specification | L=5810 2-JATK |          |            |

| Pos | Item code | Title             | Specification                            | Pc | Nto Weight |
|-----|-----------|-------------------|--|----|------------|
| 37  | 90020567  | PLATE             | 80X180                                   | 1  | 0.11       |
| 38  | 90023240  | PLATE             | 60 X 155                                 | 1  | 0.07       |
| 39  | 21039422  | SHIM              | 1XD=55                                   | 1  | 0.01       |
| 40  | 21039336  | PIPE CLAMP        | LT4X30-191                               | 2  | 0.17       |
| 41  | 90010442  | FASTENER          | LT4X30-72                                | 5  | 0.07       |
| 42  | 90019549  | RUBBER            | 5X40-175                                 | 2  | 0.26       |
| 43  | 90010443  | RUBBER            | 5X55-40                                  | 4  | 0.01       |
| 44  | 3100257   | BUSHING           | WB 802 5050                              | 1  | 0.16       |
| 45  | 3100188   | BUSHING           | WB 802 4050                              | 1  | 0.1        |
| 46  | 3100225   | BUSHING           | WB 802 6030                              | 2  | 0.11       |
| 47  | 3060100   | SNAP RING         | AS 40X2.5 ZN DIN 471                     | 1  | 0          |
| 48  | 3060099   | SNAP RING         | AS 50X3 ZN DIN 471                       | 1  | 0          |
| 49  | 3060092   | SNAP RING         | AS 30X2 ZN DIN 471                       | 2  | 0          |
| 50  | 3050003   | GREASE NIPPLE     | M8X1,25 DIN 71412                        | 3  | 0          |
| 51  | 3010301   | ALLEN SCREW       | M16X50 12.9 DIN 912                      | 4  | 0          |
| 52  | 3010685   | ALLEN SCREW       | M10X25 8.8 ZN DIN 912                    | 14 | 0          |
| 53  | 3010159   | HEW SCREW         | M10X45 8.8 ZN DIN 931                    | 1  | 0          |
| 54  | 3010192   | ALLEN SCREW       | M10X20 8.8 ZN DIN 912                    | 4  | 0          |
| 55  | 3010898   | ALLEN SCREW       | M10X16 8.8 ZN DIN 912                    | 1  | 0          |
| 56  | 3010297   | ALLEN SCREW       | M10X12 8.8 ZN DIN 912                    | 8  | 0          |
| 57  | 3010328   | HEW SCREW         | M8X90 8.8 ZN DIN 931                     | 8  | 0          |
| 58  | 3010072   | HEW SCREW         | M8X50 8.8 ZN DIN 931                     | 2  | 0          |
| 59  | 3010190   | ALLEN SCREW       | M8X16 10.9 DIN 7991                      | 16 | 0          |
| 60  | 3020032   | NUT               | M20 ZN DIN 934/8                         | 2  | 0          |
| 61  | 3020004   | NUT               | M10 ZN DIN 985                           | 1  | 0.01       |
| 62  | 3020001   | NUT               | M8 ZN DIN 985                            | 10 | 0.01       |
| 63  | 3030003   | WASHER            | M10/11 ZN DIN 126                        | 4  | 0          |
| 64  | 3091465   | CONNECTOR         | 6310-12-10                               | 2  | 0.3        |
| 65  | 3090630   | CONNECTOR (ANGLE) | 6310-06-08                               | 4  | 0.1        |
| 66  | 3090604   | CONNECTOR         | 6010-06-08                               | 12 | 0.07       |
| 67  | 3110040   | USIT-SEAL         | R-06 R 3/8"                              | 12 | 0          |
| 68  | 3300150   | SPRING            | 40X20.4X2.5 SF-TAF DIN 2093              | 16 | 0          |
| 100 | 3133303   | HYDRAULIC HOSE    | A50005-08-06/261E-06/A50005-08-06/L=4200 | 4  | 0          |
| 101 | 3132997   | HYDRAULIC HOSE    | A50005-08-08/241T-08/500200-10-08/L=600  | 4  |            |
| 102 | 3133306   | HYDRAULIC HOSE    | 500200-10-08/241T-08/500200-10-08/L=1300 | 4  | 0          |
| 103 | 3133317   | HYDRAULIC HOSE    | A50005-10-08/241T-08/A50005-10-08/L=1400 | 2  | 0          |

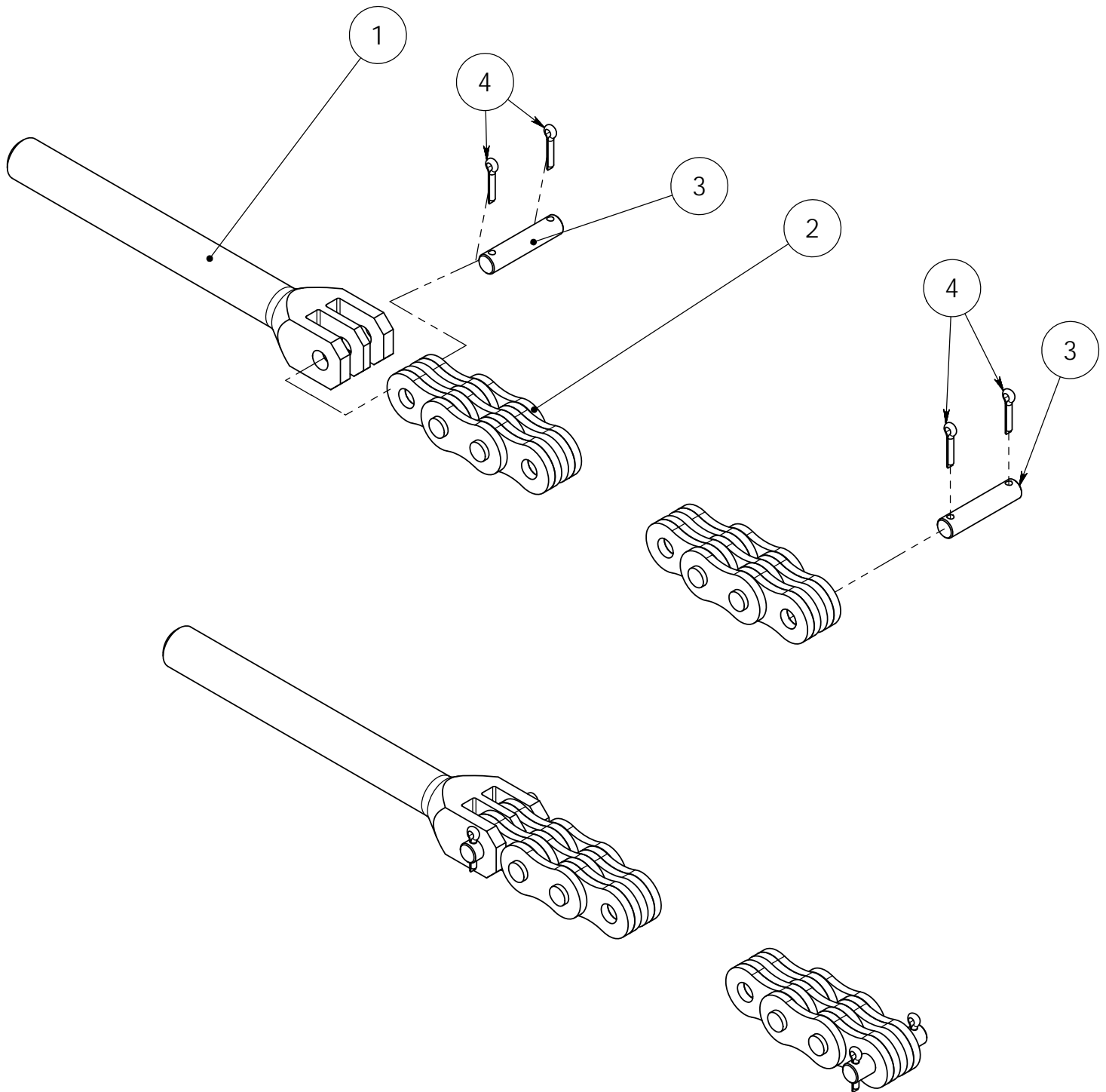


|               |          |          |            |
|---------------|----------|----------|------------|
| Item code     | 90026176 | Revision | -          |
| Title         | DRAW BAR | Date     | 25.02.2013 |
| Specification | VAR      |          |            |

| Pos | Item code | Title         | Specification     | Pc | Nto Weight |
|-----|-----------|---------------|-------------------|----|------------|
| 1   | 90026147  | DRAW BAR      | VAR               | 1  | 22.75      |
| 2   | 3100185   | BUSHING       | WB 802 7060       | 6  | 0.27       |
| 3   | 3050003   | GREASE NIPPLE | M8X1,25 DIN 71412 | 6  | 0          |

90026335

3 x 4/ 87 LINKS



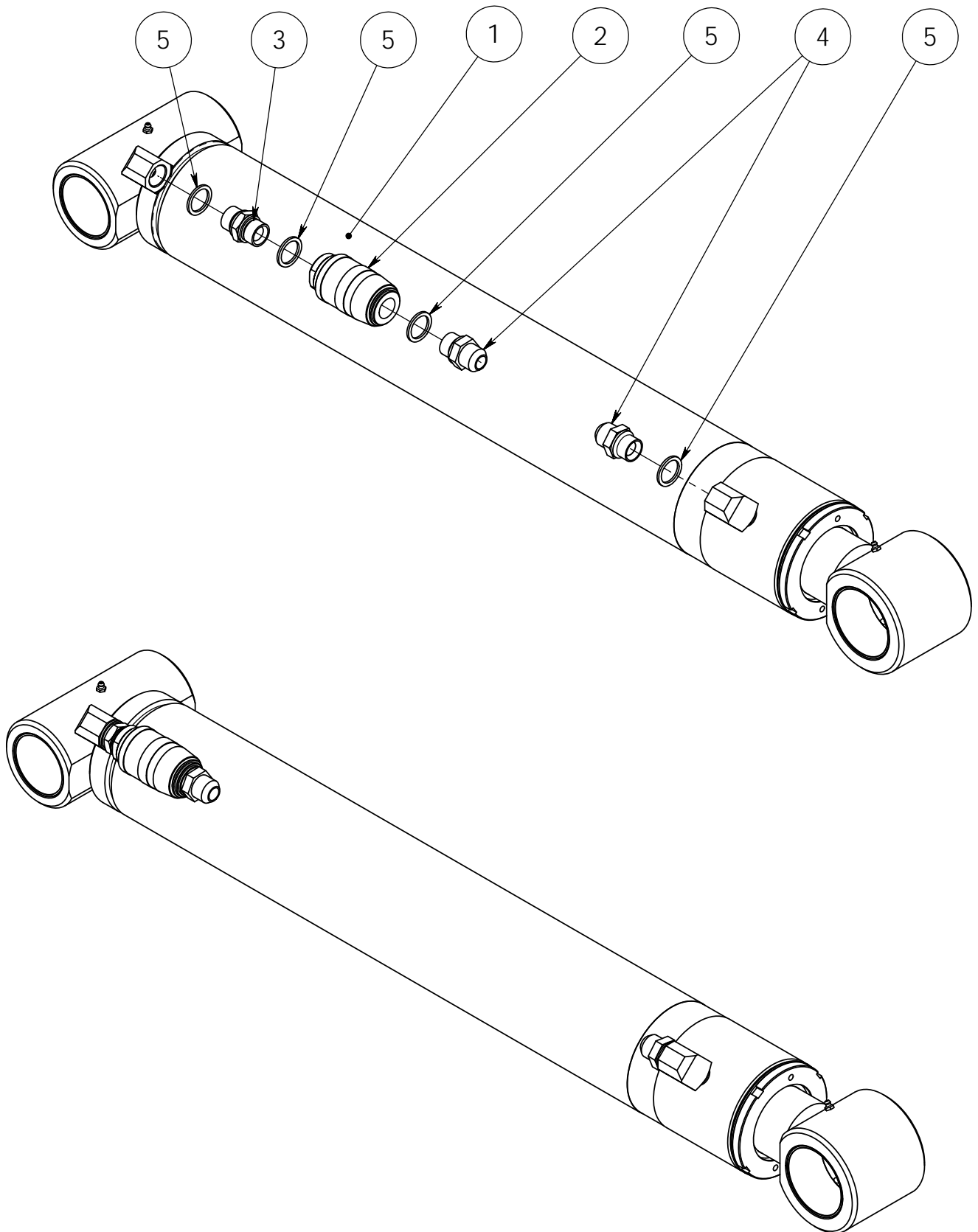


|               |                      |          |            |
|---------------|----------------------|----------|------------|
| Item code     | 90026335             | Revision | -          |
| Title         | CHAIN                | Date     | 24.04.2013 |
| Specification | 3X4 (81 LENKKIÄ) KOK |          |            |

| Pos | Item code | Title      | Specification                           | Pc | Nto Weight |
|-----|-----------|------------|---|----|------------|
| 1   | 90021136  | TENSIONER  | R 1"                                    | 1  | 0.6        |
| 2   | 3190118   | CHAIN      | LH1634, DIN8152, R 1" L=2057 81 LENKKIÄ | 1  | 0.33       |
| 3   | 3190184   | PIN        | LIITINTAPPI D=9,53-43,7 KETJULLE BL834  | 2  | 0.02       |
| 4   | 3040060   | COTTER PIN | 3,2X20 ZN DIN 94                        | 4  | 0          |

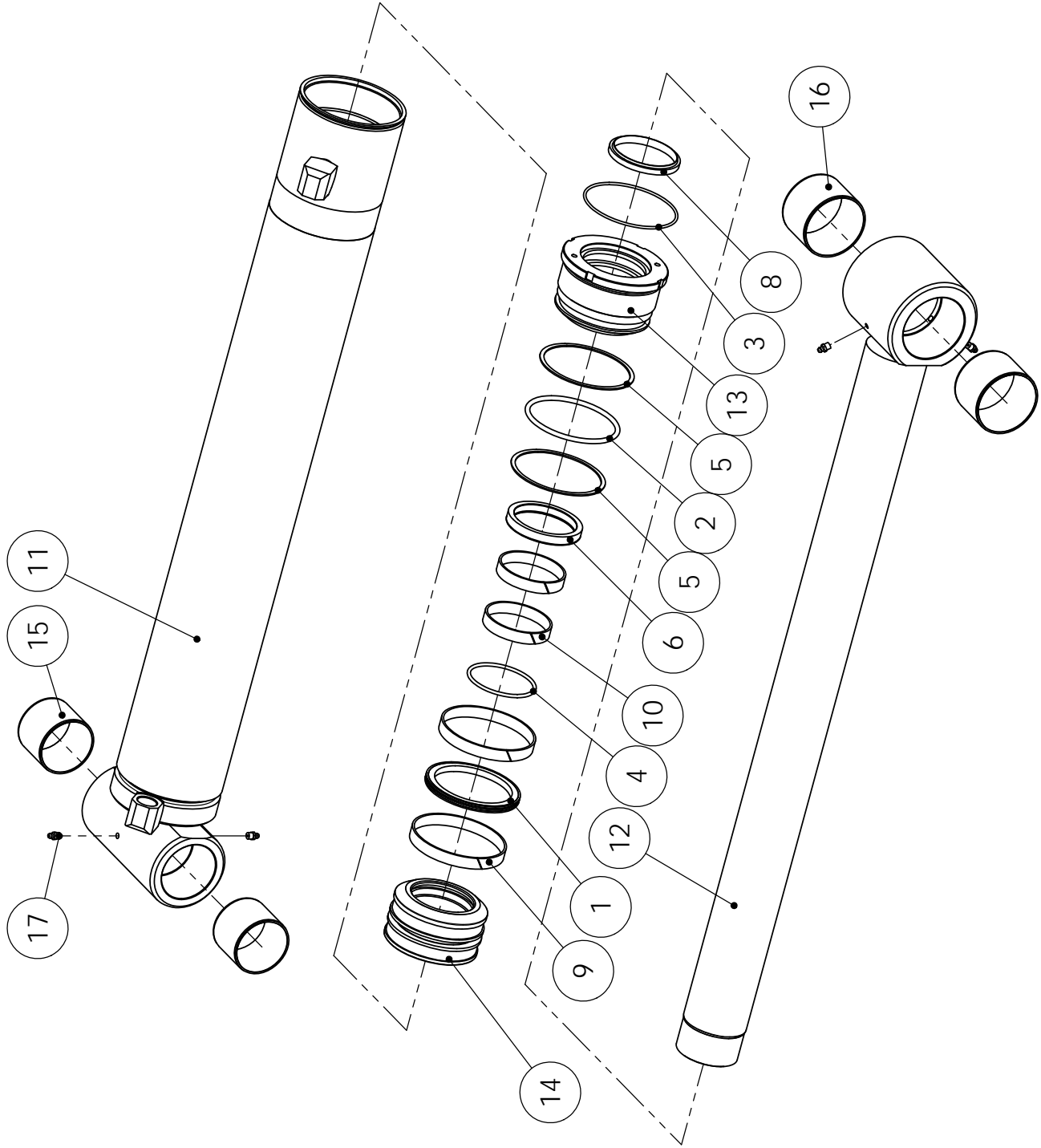
90026402

∅ 120/80x810



|               |                                  |          |            |
|---------------|----------------------------------|----------|------------|
| Item code     | 90026402                         | Revision | -          |
| Title         | CYLINDER                         | Date     | 14.05.2013 |
| Specification | 120/80 X 810 NOSTOSYLINTERI 2110 |          |            |

| Pos | Item code | Title                 | Specification                      | Pc | Nto Weight |
|-----|-----------|-----------------------|------------------------------------|----|------------|
| 1   | 28961001  | MAIN LIFTING CYLINDER | 120/80X810                         | 1  | 70.55      |
| 2   | 3120235   | CHECK VALVE           |                                    | 1  | 1.24       |
| 3   | 3090185   | CONNECTOR (STRAIGHT)  | 04000-12                           | 1  | 0.14       |
| 4   | 3090918   | CONNECTOR (STRAIGHT)  | R 3/4" -1 1/16" JIC 26-04001-12-12 | 2  | 0.16       |
| 5   | 3110130   | USIT-SEAL             | R-12 R 3/4"                        | 4  | 0.01       |



28961001 NOSTOSYLINTERI



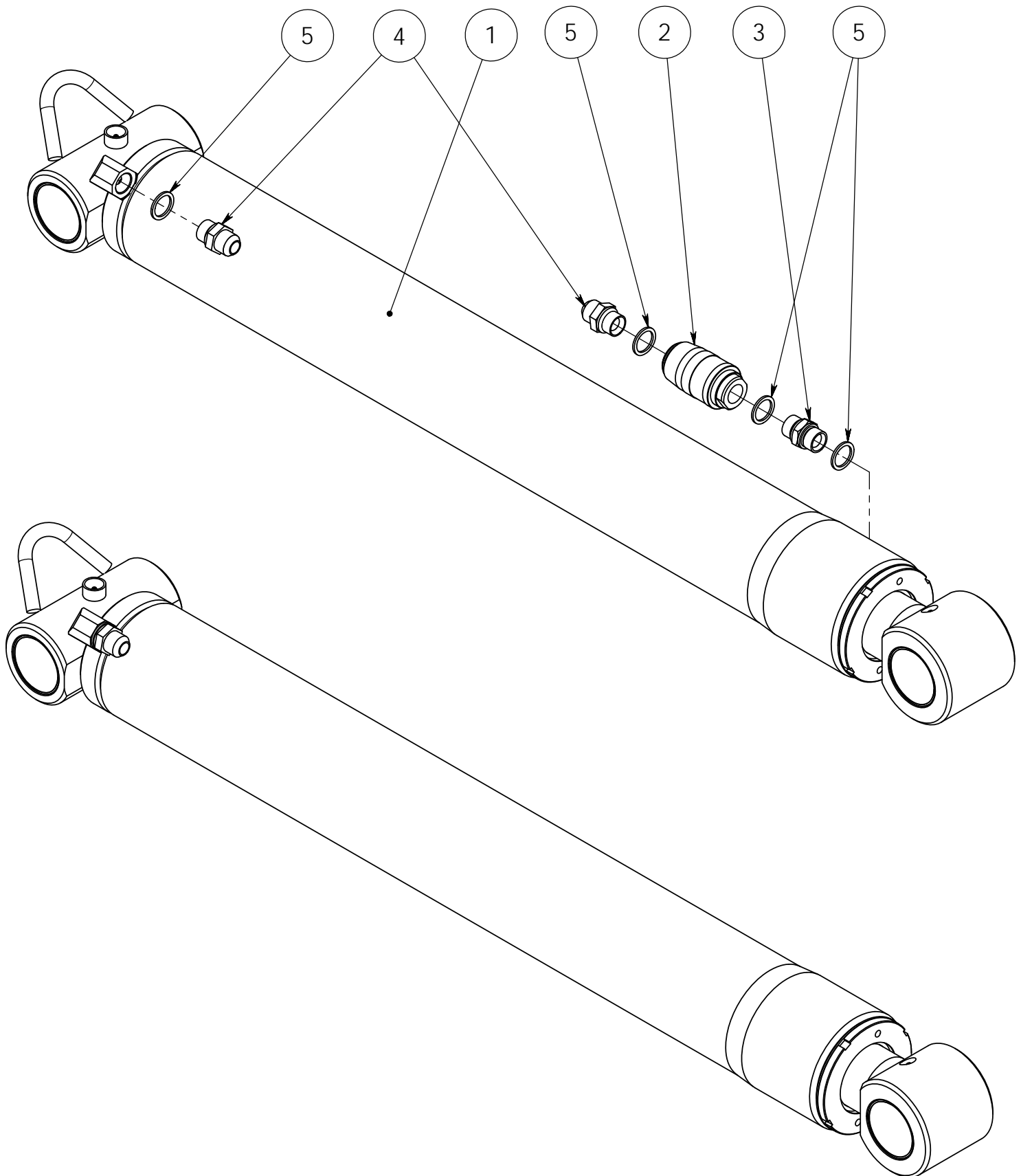
## SPARE PART LIST

|               |                       |          |            |
|---------------|-----------------------|----------|------------|
| Item code     | 28961001              | Revision | A          |
| Title         | MAIN LIFTING CYLINDER | Date     | 13.05.2013 |
| Specification | 120/80X810            |          |            |

| Pos | Item code | Title           | Specification        | Pc | Nto Weight |
|-----|-----------|-----------------|----------------------|----|------------|
| 1   | 3111082   | PISTON SEAL     | SIMKO 300 120/99X7.8 | 1  | 0.22       |
| 2   | 3110277   | O-RING          | 109.2X5.7 90 SHORE   | 1  | 0.07       |
| 3   | 3110400   | O-RING          | 114.5X3.0 90 SHORE   | 1  | 0.02       |
| 4   | 3111083   | O-RING          | 80.0X4 90 SHORE NBR  | 1  | 0.03       |
| 5   | 3110200   | SUPPORTING RING | 120/110X1.7 PU       | 2  | 0          |
| 6   | 3110251   | ROD SEAL        | NI 300 80/95X12      | 1  | 0.16       |
| 7   | 3110880   | ROD SEAL        | OMS-MR 80/95.1X6     | 1  | 0.08       |
| 8   | 3110111   | WIPER SEAL      | GA 80/90X7/10        | 1  | 0.08       |
| 9   | 3111084   | PISTON GUIDE    | KBK 120/115X14,8     | 2  | 0.11       |
| 10  | 3111085   | GUIDANCE        | SBK 80/85X14,8       | 2  | 0.07       |
| 11  | 28961101  | CYLINDER BARREL | 120/80X810           | 1  | 32.24      |
| 12  | 28961204  | PISTON ROD      | 80/50-995            | 1  | 30.69      |
| 13  | 28961202  | GUIDANCE        | 120/80               | 1  | 3.55       |
| 14  | 28961201  | PISTON          | 120                  | 1  | 3.04       |
| 15  | 3100185   | BUSHING         | WB 802 7060          | 2  | 0.27       |
| 16  | 3100226   | BUSHING         | WB 802 8060          | 2  | 0.3        |
| 17  | 3050003   | GREASE NIPPLE   | M8X1,25 DIN 71412    | 4  | 0          |
| -10 | 3111096   | SEAL KIT        | 120/80               | 1  |            |

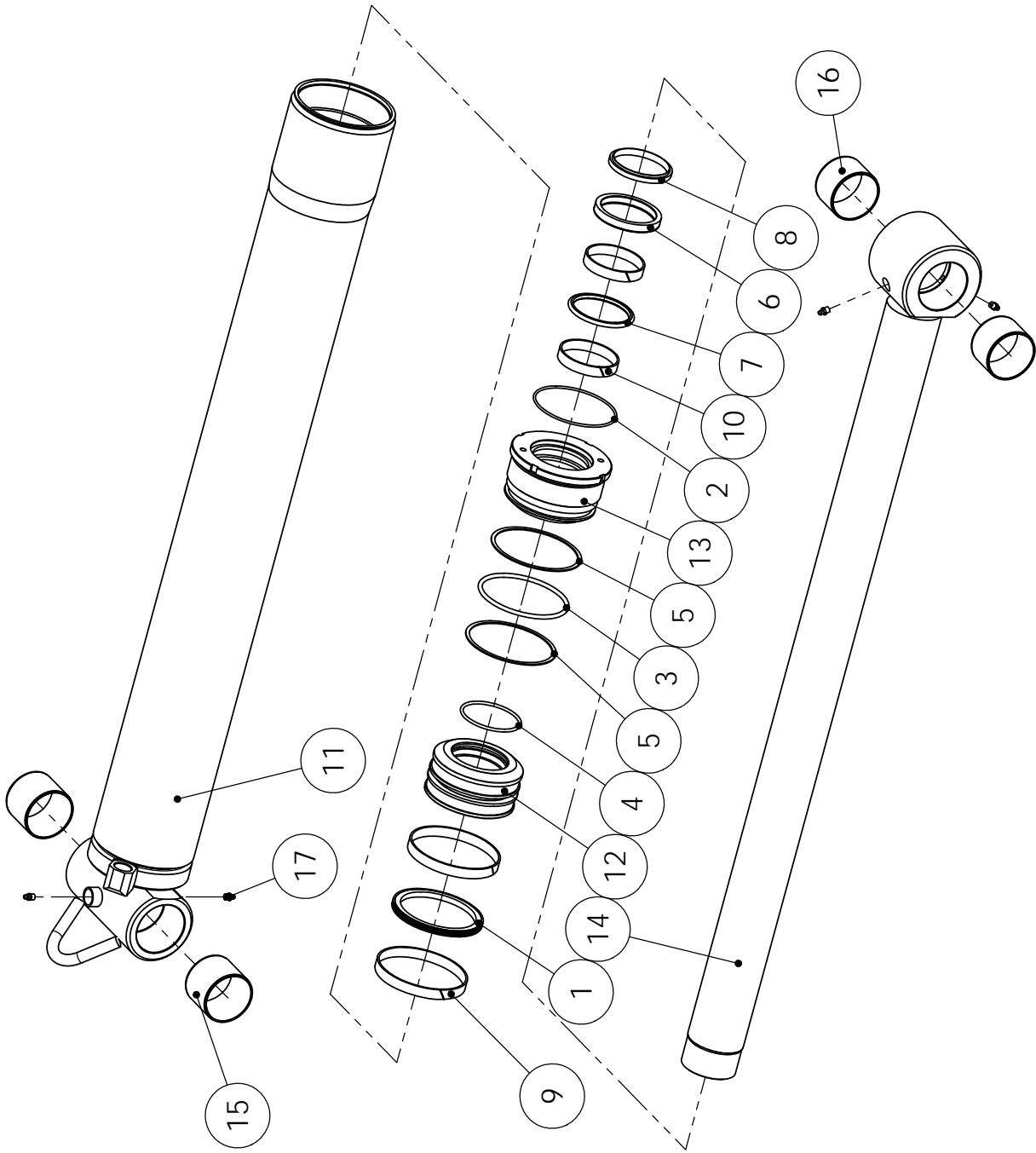
90026696

∅ 130/80x1036



|               |                                    |          |            |
|---------------|------------------------------------|----------|------------|
| Item code     | 90026696                           | Revision | -          |
| Title         | CYLINDER                           | Date     | 28.10.2013 |
| Specification | 130/80 X 1036 SIIRTOSYLINTERI 2110 |          |            |

| Pos | Item code | Title                | Specification                      | Pc | Nto Weight |
|-----|-----------|----------------------|------------------------------------|----|------------|
| 1   | 28970001  | OUTER BOOM CYLINDER  | 130/80X1036                        | 1  | 88.17      |
| 2   | 3120235   | CHECK VALVE          |                                    | 1  | 1.24       |
| 3   | 3090185   | CONNECTOR (STRAIGHT) | 04000-12                           | 1  | 0.14       |
| 4   | 3090918   | CONNECTOR (STRAIGHT) | R 3/4" -1 1/16" JIC 26-04001-12-12 | 2  | 0.16       |
| 5   | 3110130   | USIT-SEAL            | R-12 R 3/4"                        | 4  | 0.01       |



28970001 SIIRTOSYLINTERI

VARAOSAT \ RESERVDELAR \ SPARE PARTS \ ERSATZTEIL

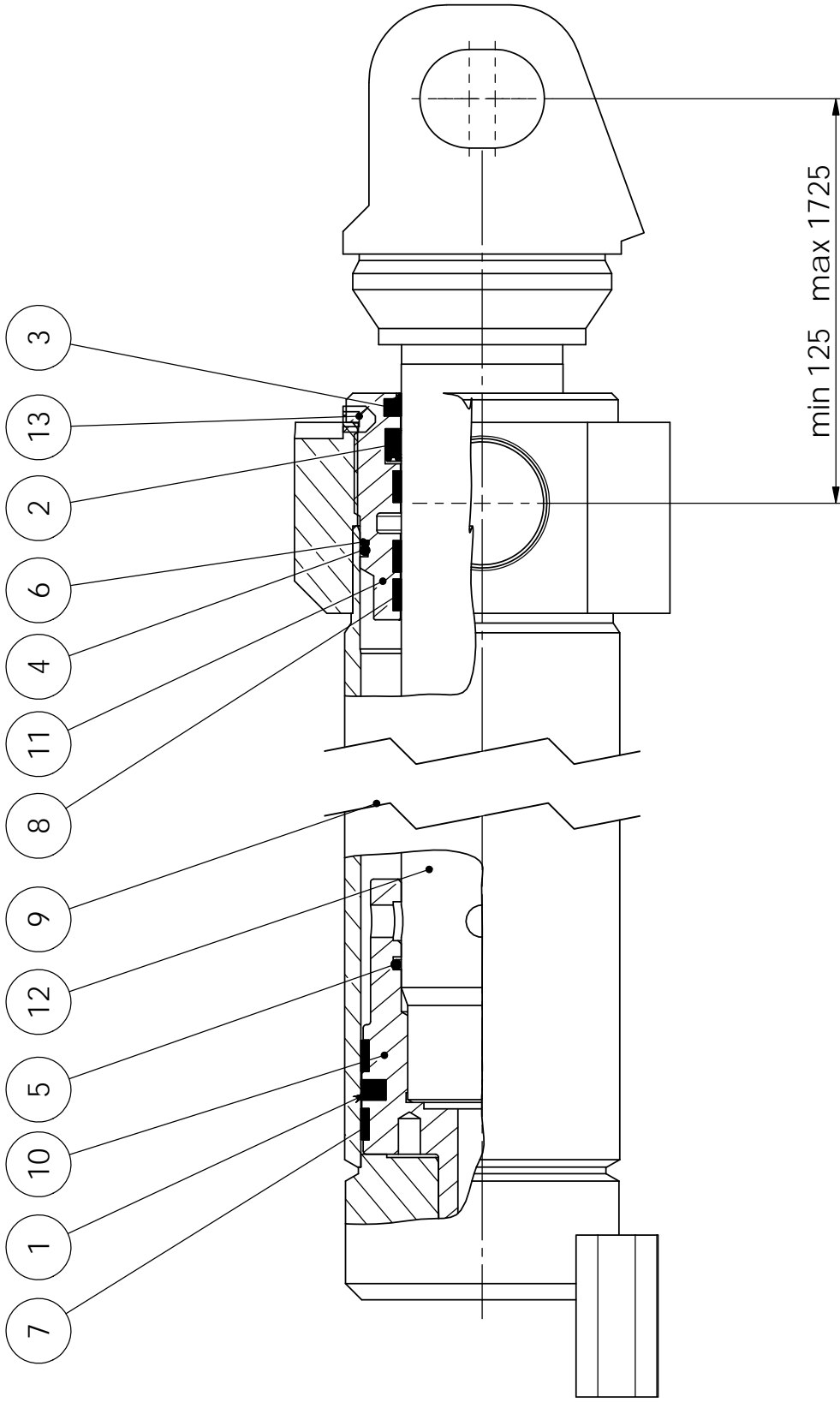




## SPARE PART LIST

|               |                 |          |            |
|---------------|-----------------|----------|------------|
| Item code     | 28970001        | Revision | -          |
| Title         | SIIRTOSYLINTERI | Date     | 15.10.2013 |
| Specification | 130/80X1036     |          |            |

| Pos | Item code | Title  | Specification         | Dimensions | Pc | Amount | Unit | Nto Weight |
|-----|-----------|--|-----------------------|------------|----|--------|------|------------|
| 1   | 3111088   | MÄNNÄNTIIVISTE KOLV TÄTNIING PISTON SEAL KOLBENDICHTUNG              | SIMKO 300 130/109X7.8 |            | 1  |        |      | 0.24       |
| 2   | 3110400   | O-RENGAS O-RING O-RING O-RING  | 114.5X3.0 90 SHORE    |            | 1  |        |      | 0.02       |
| 3   | 3110322   | O-RENGAS O-RING O-RING O-RING  | 119.3X5.7 90 SHORE    |            | 1  |        |      | 0.08       |
| 4   | 3111083   | O-RENGAS O-RING O-RING O-RING  | 80.0X4 90 SHORE NBR   |            | 1  |        |      | 0.03       |
| 5   | 3110479   | TUKIRENGAS STÖDRING SUPPORTING RING STÜTZRING                        | TR 130/120X1.7 PU     |            | 2  |        |      | 0.03       |
| 6   | 3110251   | VARRENTIIVISTE KOLVSTÄNGSTÄTNIING ROD SEAL DICHTUNG FÜR KOLBENSTANGE | NI 300 80/95X12       |            | 1  |        |      | 0.16       |
| 7   | 3110880   | VARRENTIIVISTE KOLVSTÄNGSTÄTNIING ROD SEAL DICHTUNG FÜR KOLBENSTANGE | OMS-MR 80/95.1X6      |            | 1  |        |      | 0.08       |
| 8   | 3110111   | LUOVUJIN AVSTRYKARE WIPER SEAL ABSTREIFER                            | GA 80/90X7/10         |            | 1  |        |      | 0.08       |
| 9   | 3111120   | MÄNNÄNOHJAIN KOLV STYRNING PISTON GUIDE KOLBENFÜHRUNG                | KB 130/125X14.8       |            | 2  |        |      | 0.12       |
| 10  | 3111085   | OHJAIN STYRNING GUIDANCE STEUERUNG                                   | SBK 80/85X14.8        |            | 2  |        |      | 0.07       |
| 11  | 28970101  | SYLINTERIPUTKI CYLINDER BARREL ZYLINDERROHR                          | 130/80X1036           |            | 1  |        |      | 41.66      |
| 12  | 28970201  | MÄNTÄ KOLV PISTON KOLBEN   | 130                   | L=68       | 1  |        |      | 3.99       |
| 13  | 28970202  | OHJAIN STYRNING GUIDANCE STEUERUNG                                   | 130/80                | L=83       | 1  |        |      | 4.79       |
| 14  | 28962204  | MÄNNÄNVARSI KOLVSTÄNG PISTON ROD KOLBENSTANGE                        | 80/50-                |            | 1  |        |      | 35.62      |
| 15  | 3100185   | LIUKULAAKERI BUSSNING BUSHING GLEITLAGER                             | WB 802 7060           |            | 2  |        |      | 0.27       |
| 16  | 3100332   | LIUKULAAKERI BUSSNING BUSHING GLEITLAGER                             | WB 802 7050           |            | 2  |        |      | 0.22       |
| 17  | 3050003   | RASVANIPPA SMÖRNIPPEL GREASE NIPPLE SCHMIERNIPPEL                    | M8X1.25 DIN 71412     |            | 4  |        |      | 0          |
| -10 | 3111121   | TIIVISTESARJA TÄTNIINGSSATS SEAL KIT DICHTUNGSSATZ                   | 130/80                |            | 1  |        |      |            |



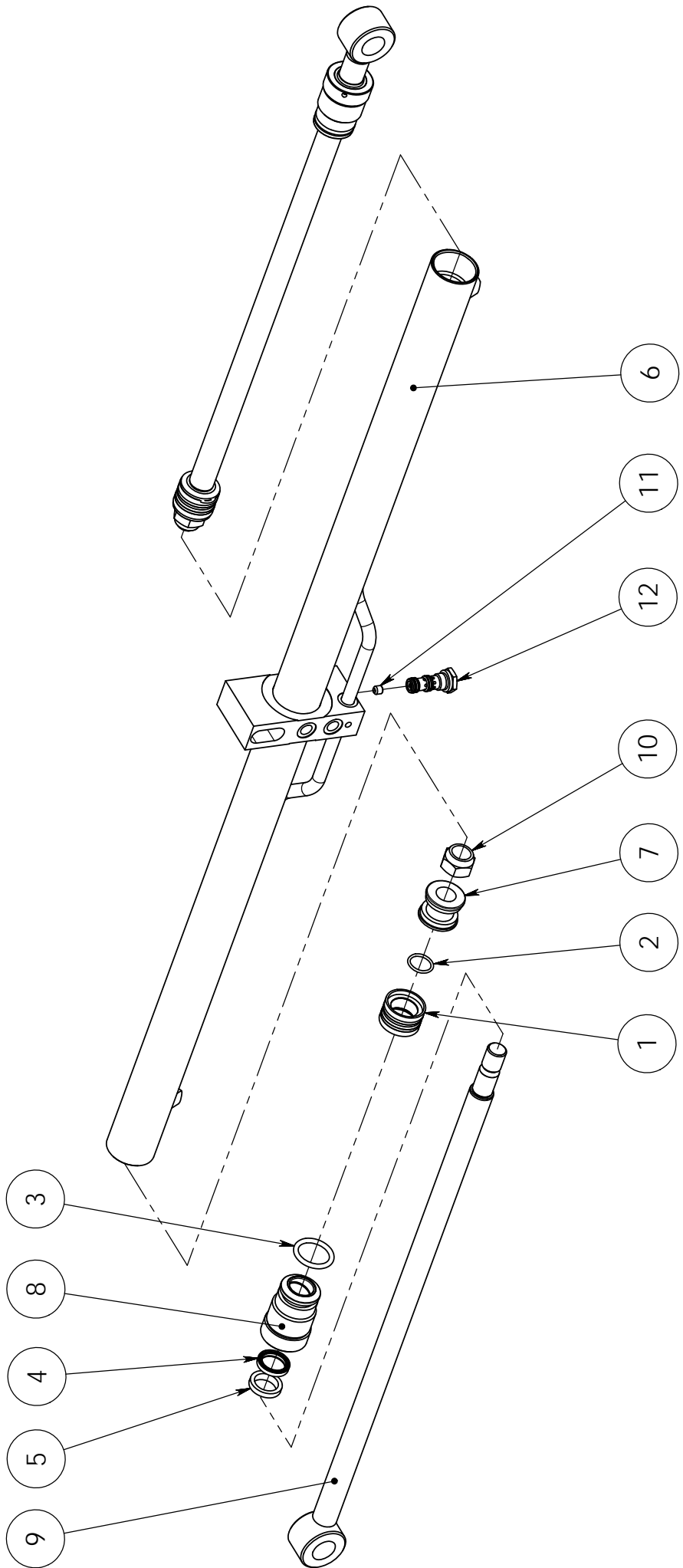
28960001



## SPARE PART LIST

|               |                    |          |            |
|---------------|--------------------|----------|------------|
| Item code     | 28960001           | Revision | -          |
| Title         | EXTENSION CYLINDER | Date     | 07.05.2013 |
| Specification | 75/50X1600         |          |            |

| Pos | Item code | Title           | Specification                   | Pc | Nto Weight |
|-----|-----------|-----------------|---------------------------------|----|------------|
| 1   | 3110961   | PISTON SEAL     | SIMKO 300 75/59.5X6             | 1  | 0.08       |
| 2   | 3110019   | ROD SEAL        | NI 300 50/60X10                 | 1  | 0.06       |
| 3   | 3110018   | WIPER SEAL      | PW 50                           | 1  | 0.04       |
| 4   | 3110973   | O-RING          | 69,5X3 90 SH                    | 1  | 0.01       |
| 5   | 3110182   | O-RING          | 50,2X3 90 SHORE                 | 1  | 0.01       |
| 6   | 3110960   | SUPPORTING RING | 75/70X1,3 PU                    | 1  | 0.01       |
| 7   | 3110962   | GUIDANCE        | MÄNNÄNOHJAIN 75/70X9,6 KUDOSBAK | 2  | 0.04       |
| 8   | 3110958   | GUIDANCE        | VARRENOHJAIN 50/55X9,6 KUDOSBAK | 3  | 0.03       |
| 9   | 28960101  | CYLINDER BARREL | 75/50X1600                      | 1  | 21.33      |
| 10  | 28960201  | PISTON          | 75                              | 1  | 1.52       |
| 11  | 28849202  | GUIDANCE        | 75/50                           | 1  | 1.12       |
| 12  | 28960204  | PISTON ROD      | 75/50X1600                      | 1  | 24.09      |
| 13  | 3010175   | ALLEN SCREW     | M8X10 ZN DIN 914                | 1  | 0          |
| 1-8 | 3111093   | SEAL KIT        | 75/50                           | 1  |            |



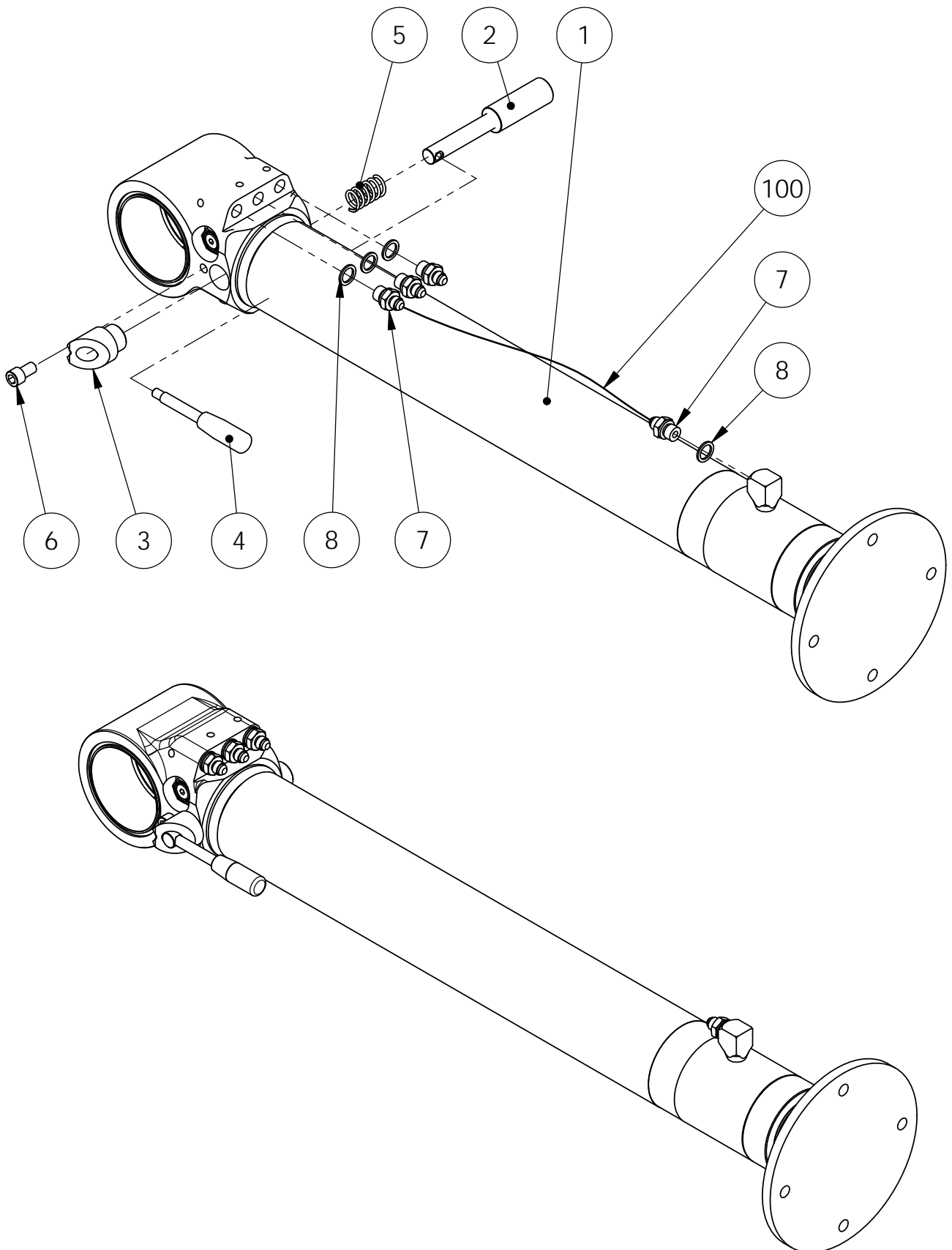


## SPARE PART LIST

|               |             |          |            |
|---------------|-------------|----------|------------|
| Item code     | 28862001    | Revision | -          |
| Title         | CYLINDER    | Date     | 08.06.2011 |
| Specification | 50/30X2X600 |          |            |

| Pos | Item code | Title           | Specification     | Pc | Nto Weight |
|-----|-----------|-----------------|-------------------|----|------------|
| 1   | 3110013   | PISTON SEAL     | DAS 50/34X18      | 2  | 0.18       |
| 2   | 3110003   | O-RING          | 26.2X3 70 SHORE   | 2  | 0.01       |
| 3   | 3110288   | O-RING          | 39.2X5.7 90 SHORE | 2  | 0.03       |
| 4   | 3110030   | ROD SEAL        | T22 30/40X7.3     | 2  | 0.02       |
| 5   | 3110313   | WIPER SEAL      | GA 30/40X7/10     | 2  | 0.03       |
| 6   | 28862101  | CYLINDER BARREL | 50/30X2X600       | 1  | 3.82       |
| 7   | 28337201  | PISTON          | D=50 DBM          | 2  | 0.26       |
| 8   | 28337202  | GUIDANCE        | 50/30             | 2  | 0.82       |
| 9   | 28812204  | PISTON ROD      | 50/30X2X600       | 2  | 4.91       |
| 10  | 3020026   | NUT             | M24 ZN DIN 985    | 2  | 0.11       |
| 11  | 21510225  | RESTRICTOR      | M10X10/D=1.0      | 1  | 0          |
| 12  | 3120843   | VALVE           |                   | 1  | 0.13       |
| 1-5 | 3110324   | SEAL KIT        | 50/30             | 1  |            |

90025603  
90/70x620 RIGHT ( FIXED FOOT )

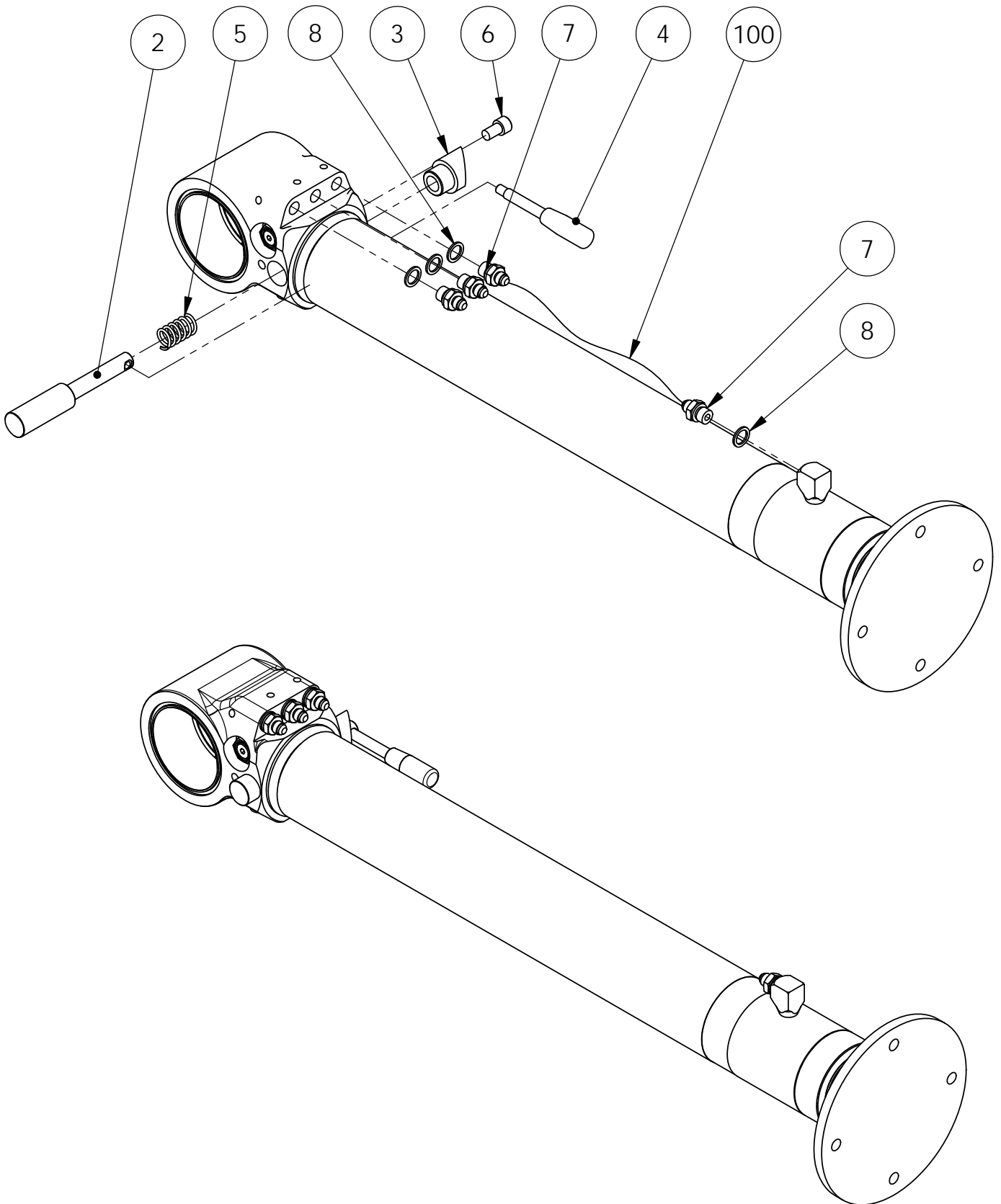


|               |                                |          |            |
|---------------|--------------------------------|----------|------------|
| Item code     | 90025603                       | Revision | A          |
| Title         | STABILIZER                     | Date     | 18.06.2012 |
| Specification | 90/70X620 RIGHT ( FIXED FOOT ) |          |            |

| Pos | Item code | Title          | Specification                                | Pc | Nto Weight |
|-----|-----------|----------------|--|----|------------|
| 1   | 28943001  | CYLINDER       | 90/70X620                                    | 1  | 61.43      |
| 2   | 90025017  | SPINDLE        | 30/18-179                                    | 1  | 0.63       |
| 3   | 90025018  | SLEEVE         |  | 1  | 0.26       |
| 4   | 3301574   | LEVER          | GN 310-12-125-E-NI M10                       | 1  | 0.03       |
| 5   | 3300533   | SPRING         | 18/45/7.6/6.88 -1643 SF-TF3                  | 1  | 0.02       |
| 6   | 3010604   | ALLEN SCREW    | M12X20 8.8 DIN 912                           | 1  | 0          |
| 7   | 3090901   | CONNECTOR      | 6010-06-06                                   | 4  | 0.05       |
| 8   | 3110040   | USIT-SEAL      | R-06 R 3/8"                                  | 4  | 0          |
| 100 | 3132961   | HYDRAULIC HOSE | A50005-06-06/241T-06/A50005-06-06S/L=730/TEX | 1  |            |

90025604

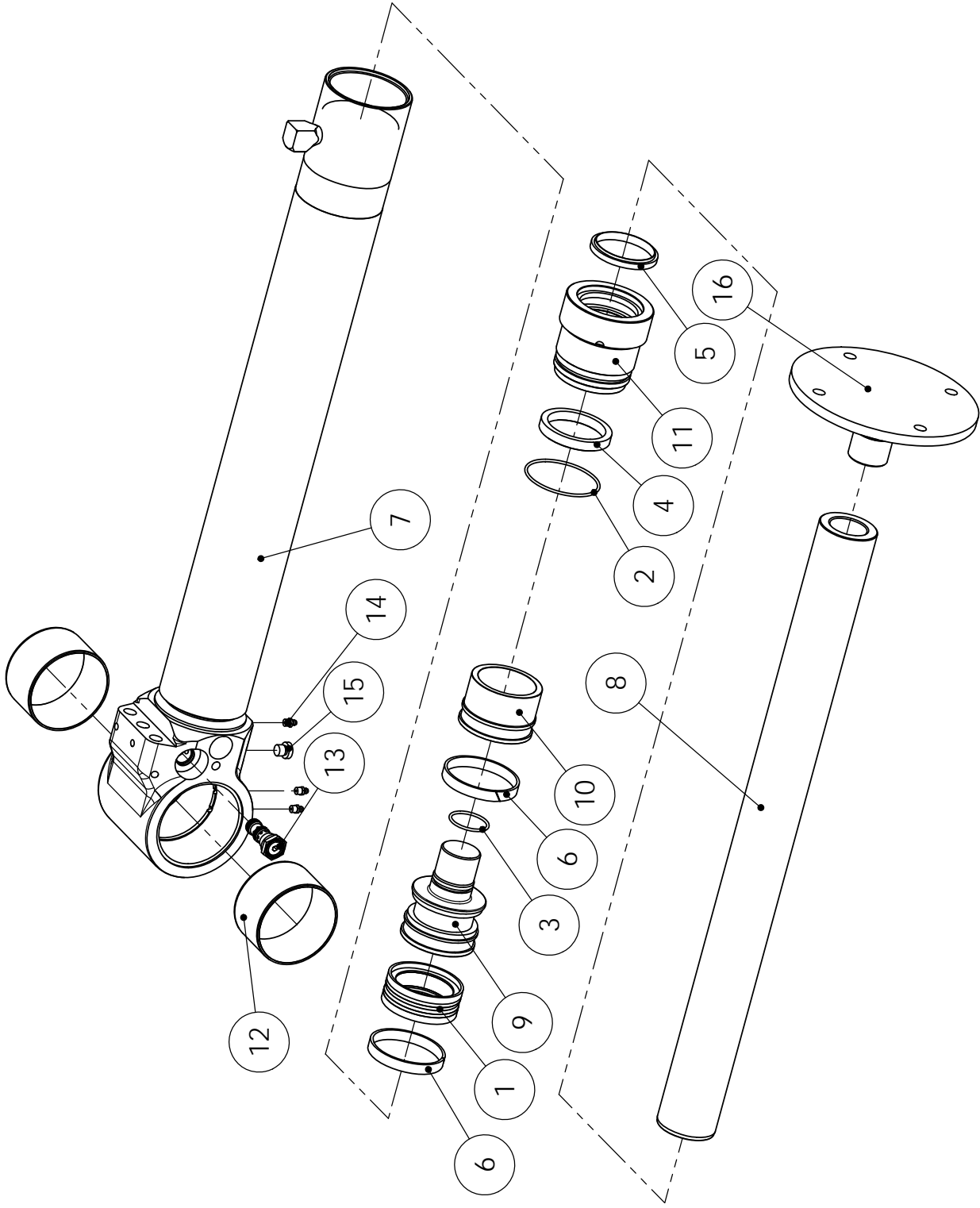
90/70x620 LEFT ( FIXED FOOT )





|               |                               |          |            |
|---------------|-------------------------------|----------|------------|
| Item code     | 90025604                      | Revision | A          |
| Title         | STABILIZER                    | Date     | 18.06.2012 |
| Specification | 90/70X620 LEFT ( FIXED FOOT ) |          |            |

| Pos | Item code | Title          | Specification                                | Pc | Nto Weight |
|-----|-----------|----------------|--|----|------------|
| 1   | 28943001  | CYLINDER       | 90/70X620                                    | 1  | 61.43      |
| 2   | 90025017  | SPINDLE        | 30/18-179                                    | 1  | 0.63       |
| 3   | 90025018  | SLEEVE         |  | 1  | 0.26       |
| 4   | 3301574   | LEVER          | GN 310-12-125-E-NI M10                       | 1  | 0.03       |
| 5   | 3300533   | SPRING         | 18/45/7.6/6.88 -1643 SF-TF3                  | 1  | 0.02       |
| 6   | 3010604   | ALLEN SCREW    | M12X20 8.8 DIN 912                           | 1  | 0          |
| 7   | 3090901   | CONNECTOR      | 6010-06-06                                   | 4  | 0.05       |
| 8   | 3110040   | USIT-SEAL      | R-06 R 3/8"                                  | 4  | 0          |
| 100 | 3132961   | HYDRAULIC HOSE | A50005-06-06/241T-06/A50005-06-06S/L=730/TEX | 1  |            |



28943001 SYLINTERI

VARAOSAT \ RESERVDELAR \ SPARE PARTS \ ERSATZTEIL

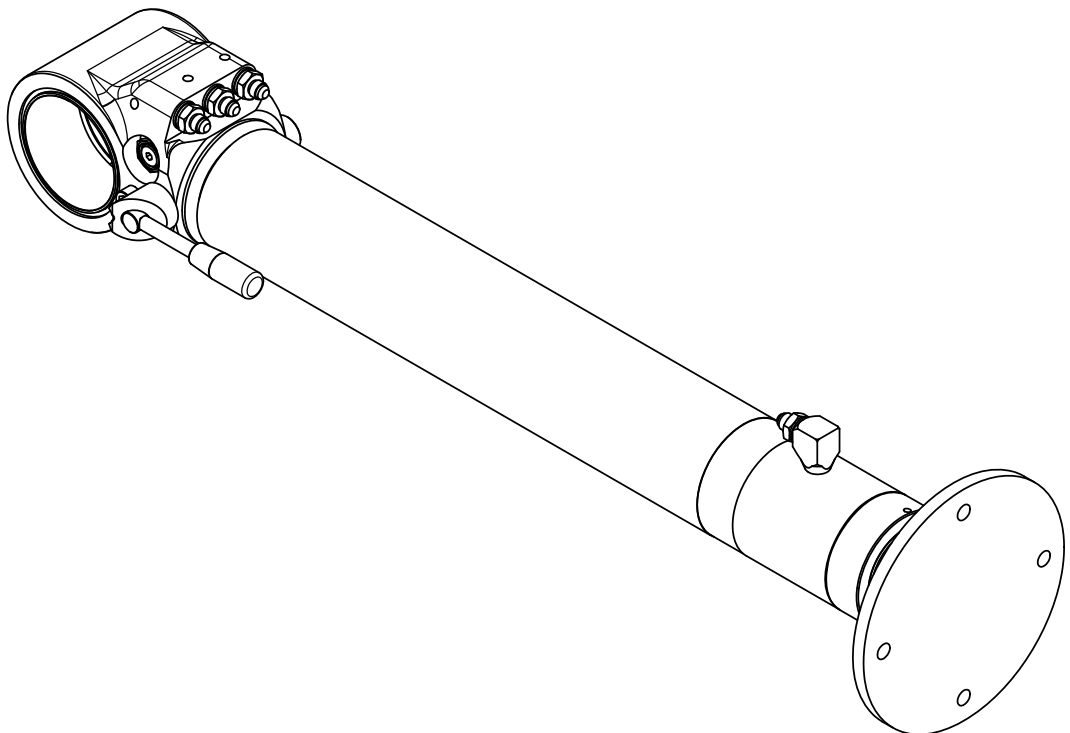
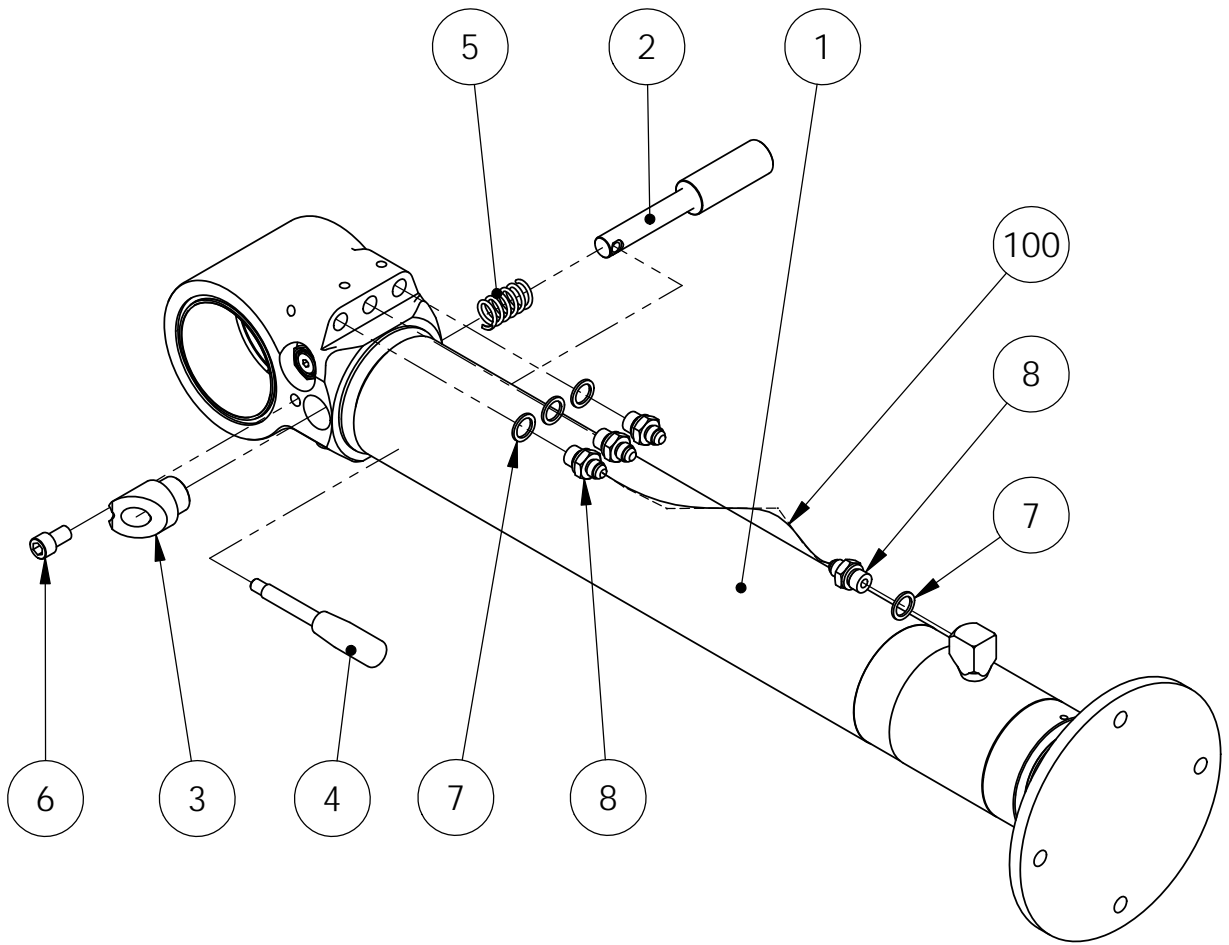


## SPARE PART LIST

|               |           |          |            |
|---------------|-----------|----------|------------|
| Item code     | 28943001  | Revision | -          |
| Title         | CYLINDER  | Date     | 15.01.2013 |
| Specification | 90/70X620 |          |            |

| Pos | Item code | Title           | Specification              | Pc | Nto Weight |
|-----|-----------|-----------------|----------------------------|----|------------|
| 1   | 3110025   | PISTON SEAL     | DAS 90/70X22               | 1  | 0.5        |
| 2   | 3110017   | O-RING          | 84.5X3 90 SHORE            | 2  | 0.02       |
| 3   | 3110258   | O-RING          | 42.2X3 90 SHORE            | 1  | 0.01       |
| 4   | 3110184   | ROD SEAL        | B 70/85X12 POLYPAC BALSELE | 1  | 0.17       |
| 5   | 3110196   | WIPER SEAL      | GA 70/80X7/10              | 1  | 0.07       |
| 6   | 3110397   | PISTON GUIDE    | E/PWR 90/84X13             | 2  | 0.08       |
| 7   | 28861101  | CYLINDER BARREL | 90/70X600                  | 1  | 32.54      |
| 8   | 28943302  | PISTON ROD      | 70-793                     | 1  | 15.11      |
| 9   | 28942201  | PISTON          | 90                         | 1  | 2.46       |
| 10  | 28554105  | SLEEVE          | ISKURAJOITINHOLKKI         | 1  | 0.96       |
| 11  | 28358202  | GUIDANCE        | 90/70                      | 1  | 2.42       |
| 12  | 3100344   | BUSHING         | WB 802 10060               | 2  | 0.38       |
| 13  | 3120843   | VALVE           |                            | 1  | 0.13       |
| 14  | 3050003   | GREASE NIPPLE   | M8X1.25 DIN 71412          | 3  | 0          |
| 15  | 3090211   | PLUG            |                            | 1  | 0.02       |
| 16  | 28942106  | BASE            | TUKIJALKA                  | 1  | 6.07       |
| 1-6 | 3111025   | SEAL KIT        | 90/70                      | 1  |            |

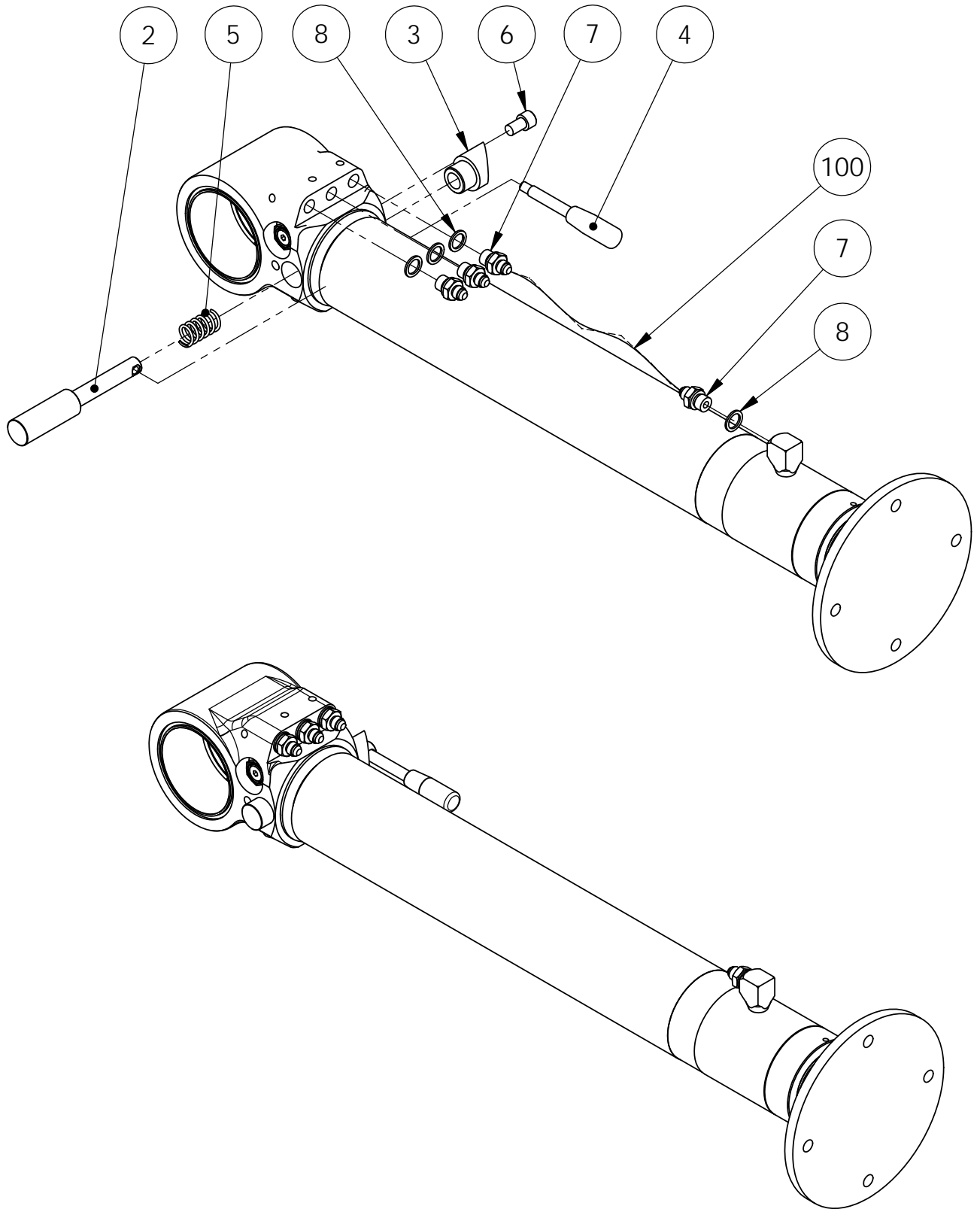
90025605  
90/70x520 RIGHT ( FIXED FOOT )



|               |                                |          |            |
|---------------|--------------------------------|----------|------------|
| Item code     | 90025605                       | Revision | A          |
| Title         | STABILIZER                     | Date     | 18.06.2012 |
| Specification | 90/70X520 RIGHT ( FIXED FOOT ) |          |            |

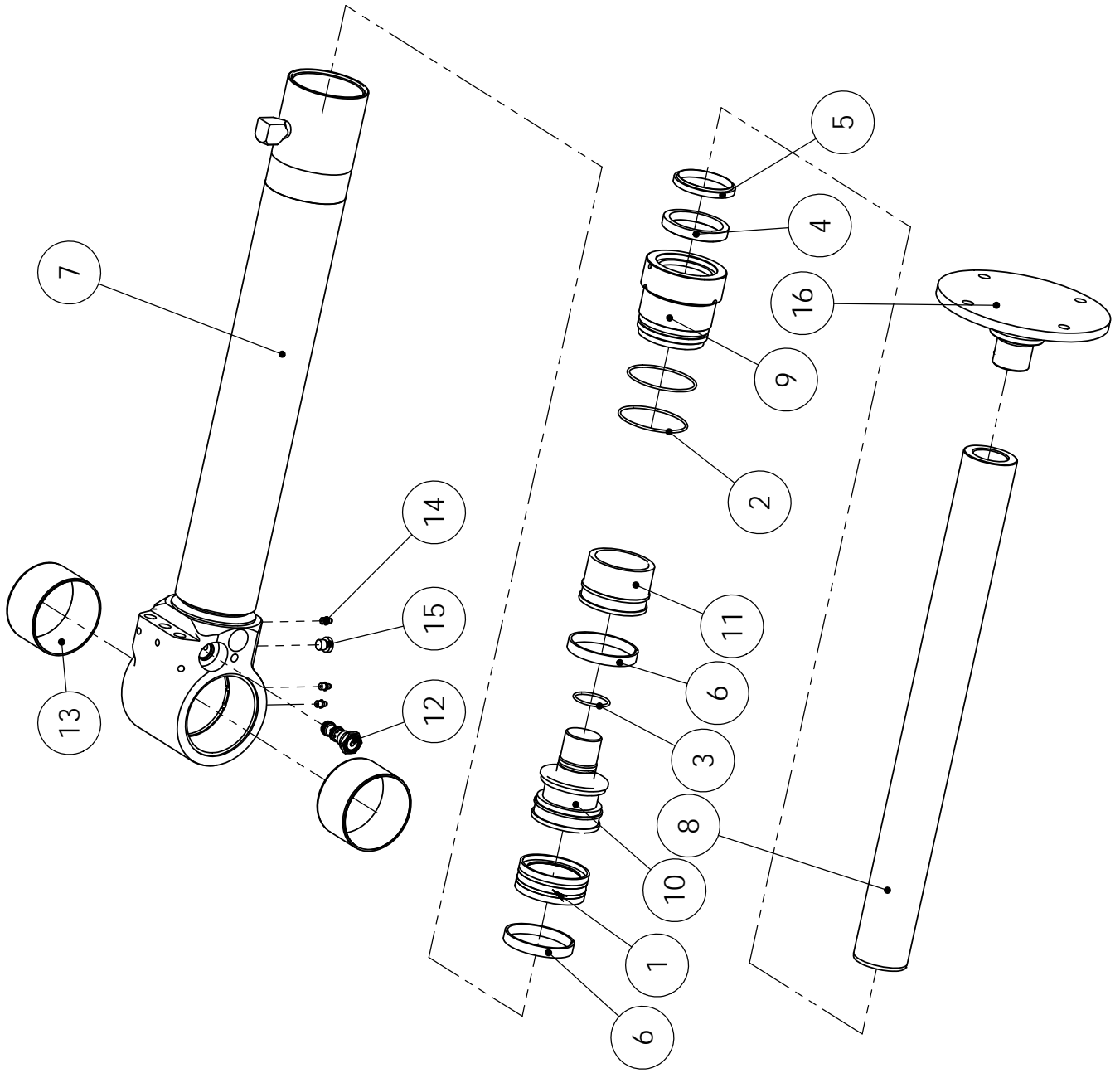
| Pos | Item code | Title          | Specification                                | Pc | Nto Weight |
|-----|-----------|----------------|--|----|------------|
| 1   | 28942001  | CYLINDER       | 90/70X520                                    | 1  | 57.69      |
| 2   | 90025017  | SPINDLE        | 30/18-179                                    | 1  | 0.63       |
| 3   | 90025018  | SLEEVE         |  | 1  | 0.26       |
| 4   | 3301574   | LEVER          | GN 310-12-125-E-NI M10                       | 1  | 0.03       |
| 5   | 3300533   | SPRING         | 18/45/7.6/6.88 -1643 SF-TF3                  | 1  | 0.02       |
| 6   | 3010604   | ALLEN SCREW    | M12X20 8.8 DIN 912                           | 1  | 0          |
| 7   | 3110040   | USIT-SEAL      | R-06 R 3/8"                                  | 4  | 0          |
| 8   | 3090901   | CONNECTOR      | 6010-06-06                                   | 4  | 0.05       |
| 100 | 3132962   | HYDRAULIC HOSE | A50005-06-06/241T-06/A50005-06-06/L=630/ TEX | 1  | 0          |

90025606  
90/70x520 LEFT ( FIXED FOOT )



|               |                               |          |            |
|---------------|-------------------------------|----------|------------|
| Item code     | 90025606                      | Revision | A          |
| Title         | STABILIZER                    | Date     | 18.06.2012 |
| Specification | 90/70X520 LEFT ( FIXED FOOT ) |          |            |

| Pos | Item code | Title          | Specification                                | Pc | Nto Weight |
|-----|-----------|----------------|--|----|------------|
| 1   | 28942001  | CYLINDER       | 90/70X520                                    | 1  | 57.69      |
| 2   | 90025017  | SPINDLE        | 30/18-179                                    | 1  | 0.63       |
| 3   | 90025018  | SLEEVE         |  | 1  | 0.26       |
| 4   | 3301574   | LEVER          | GN 310-12-125-E-NI M10                       | 1  | 0.03       |
| 5   | 3300533   | SPRING         | 18/45/7.6/6.88 -1643 SF-TF3                  | 1  | 0.02       |
| 6   | 3010604   | ALLEN SCREW    | M12X20 8.8 DIN 912                           | 1  | 0          |
| 7   | 3090901   | CONNECTOR      | 6010-06-06                                   | 4  | 0.05       |
| 8   | 3110040   | USIT-SEAL      | R-06 R 3/8"                                  | 4  | 0          |
| 100 | 3132962   | HYDRAULIC HOSE | A50005-06-06/241T-06/A50005-06-06/L=630/ TEX | 1  | 0          |



28942001



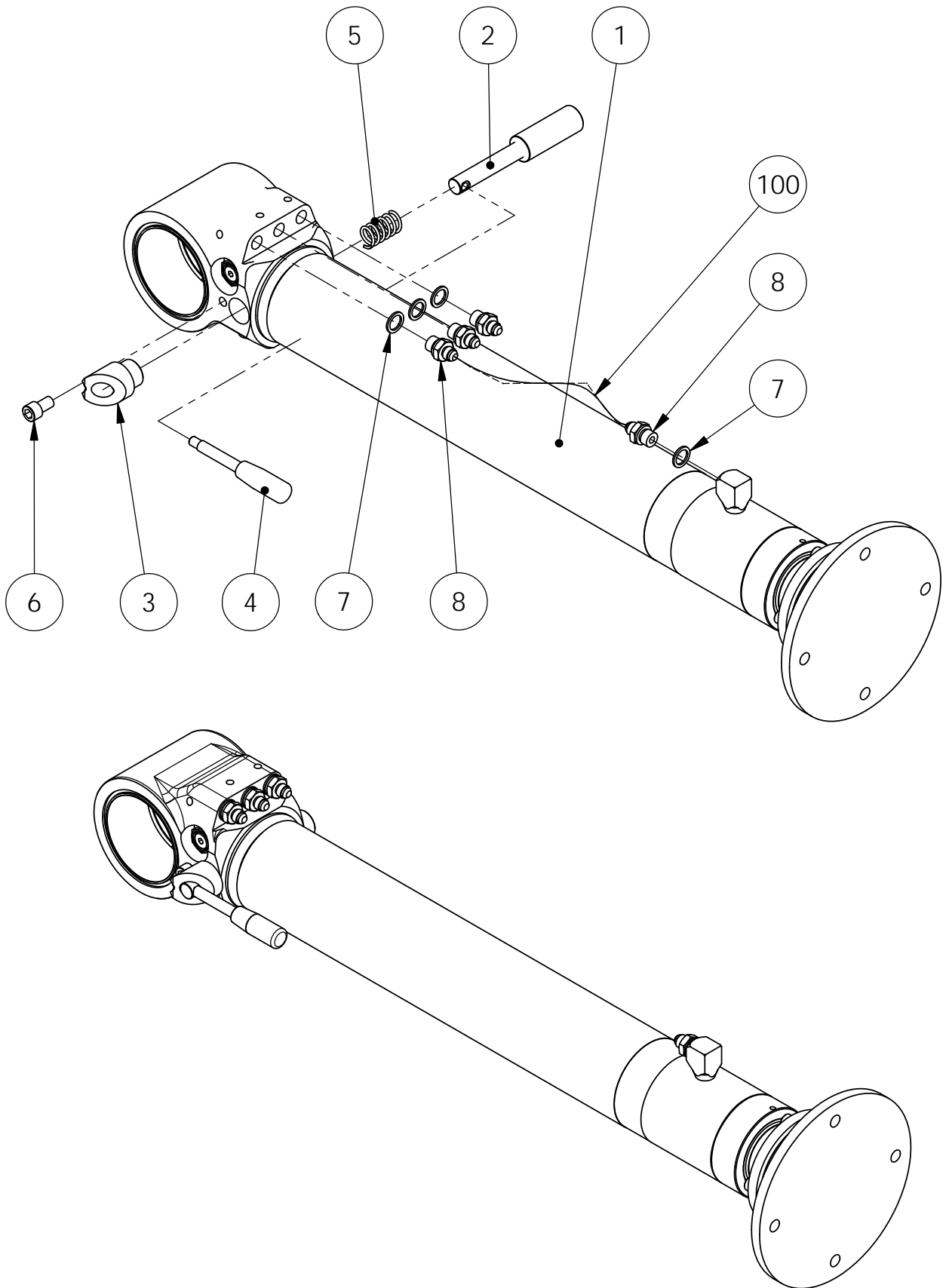


## SPARE PART LIST

|               |           |          |            |
|---------------|-----------|----------|------------|
| Item code     | 28942001  | Revision | -          |
| Title         | CYLINDER  | Date     | 30.11.2012 |
| Specification | 90/70X520 |          |            |

| Pos | Item code | Title           | Specification              | Pc | Nto Weight |
|-----|-----------|-----------------|----------------------------|----|------------|
| 1   | 3110025   | PISTON SEAL     | DAS 90/70X22               | 1  | 0.5        |
| 2   | 3110017   | O-RING          | 84.5X3 90 SHORE            | 2  | 0.02       |
| 3   | 3110258   | O-RING          | 42.2X3 90 SHORE            | 1  | 0.01       |
| 4   | 3110184   | ROD SEAL        | B 70/85X12 POLYPAC BALSELE | 1  | 0.17       |
| 5   | 3110196   | WIPER SEAL      | GA 70/80X7/10              | 1  | 0.07       |
| 6   | 3110397   | PISTON GUIDE    | E/PWR 90/84X13             | 2  | 0.08       |
| 7   | 28865101  | CYLINDER BARREL | 90/70X500                  | 1  | 30.74      |
| 8   | 28942302  | PISTON ROD      | 70-693                     | 1  | 13.17      |
| 9   | 28358202  | GUIDANCE        | 90/70                      | 1  | 2.42       |
| 10  | 28942201  | PISTON          | 90                         | 1  | 2.46       |
| 11  | 28554105  | SLEEVE          | ISKURAJOITINHOLKKI         | 1  | 0.96       |
| 12  | 3120843   | VALVE           |                            | 1  | 0.13       |
| 13  | 3100344   | BUSHING         | WB 802 10060               | 2  | 0.38       |
| 14  | 3050003   | GREASE NIPPLE   | M8X1.25 DIN 71412          | 3  | 0          |
| 15  | 3090211   | PLUG            |                            | 1  | 0.02       |
| 16  | 28942106  | BASE            | TUKIJALKA                  | 1  | 6.07       |
| 1-6 | 3111025   | SEAL KIT        | 90/70                      | 1  |            |

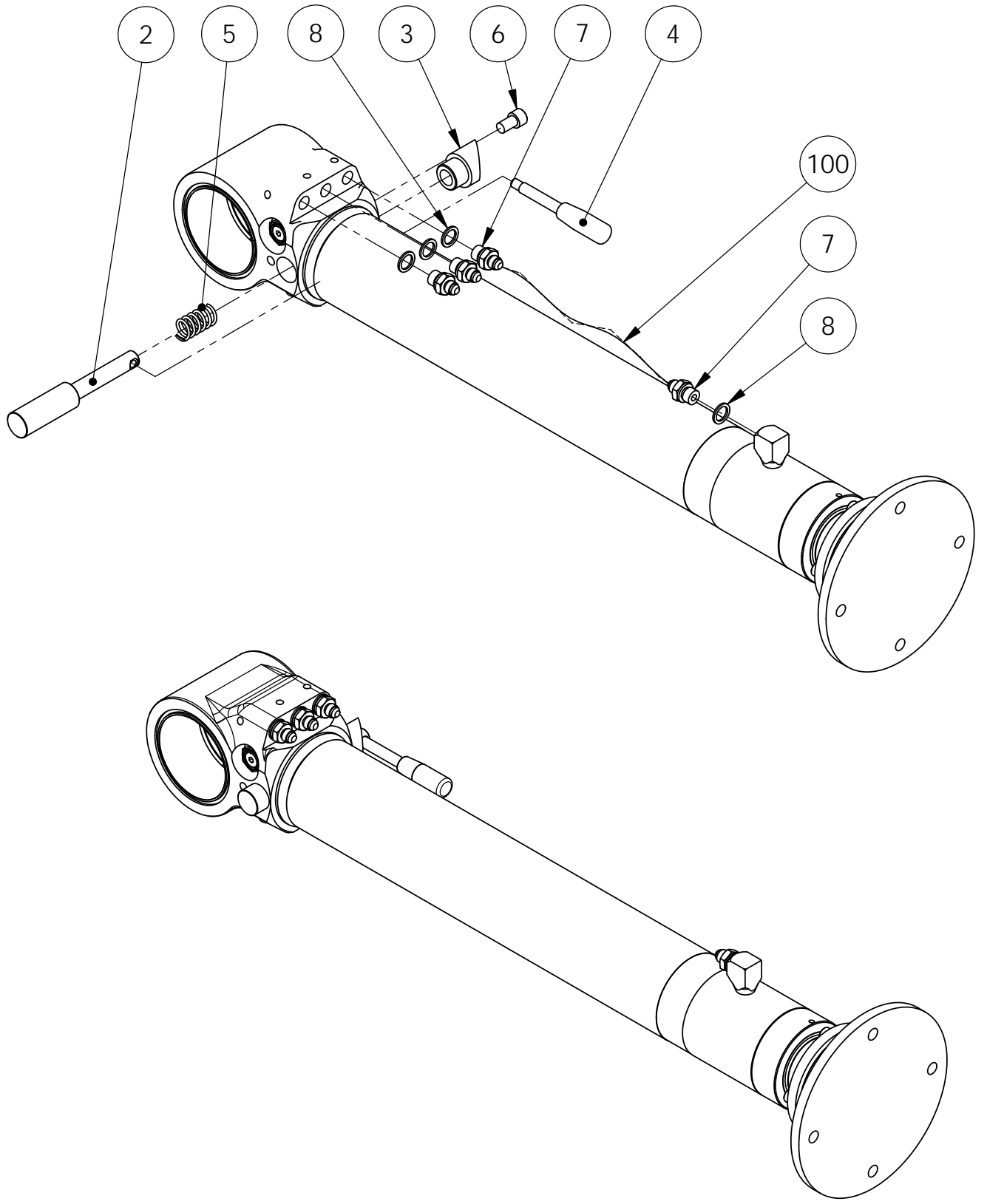
90025608  
90/70x520 RIGHT ( ADJUSTABLE FOOT )



|               |                                     |          |            |
|---------------|-------------------------------------|----------|------------|
| Item code     | 90025608                            | Revision | A          |
| Title         | STABILIZER                          | Date     | 19.06.2012 |
| Specification | 90/70X520 RIGHT ( ADJUSTABLE FOOT ) |          |            |

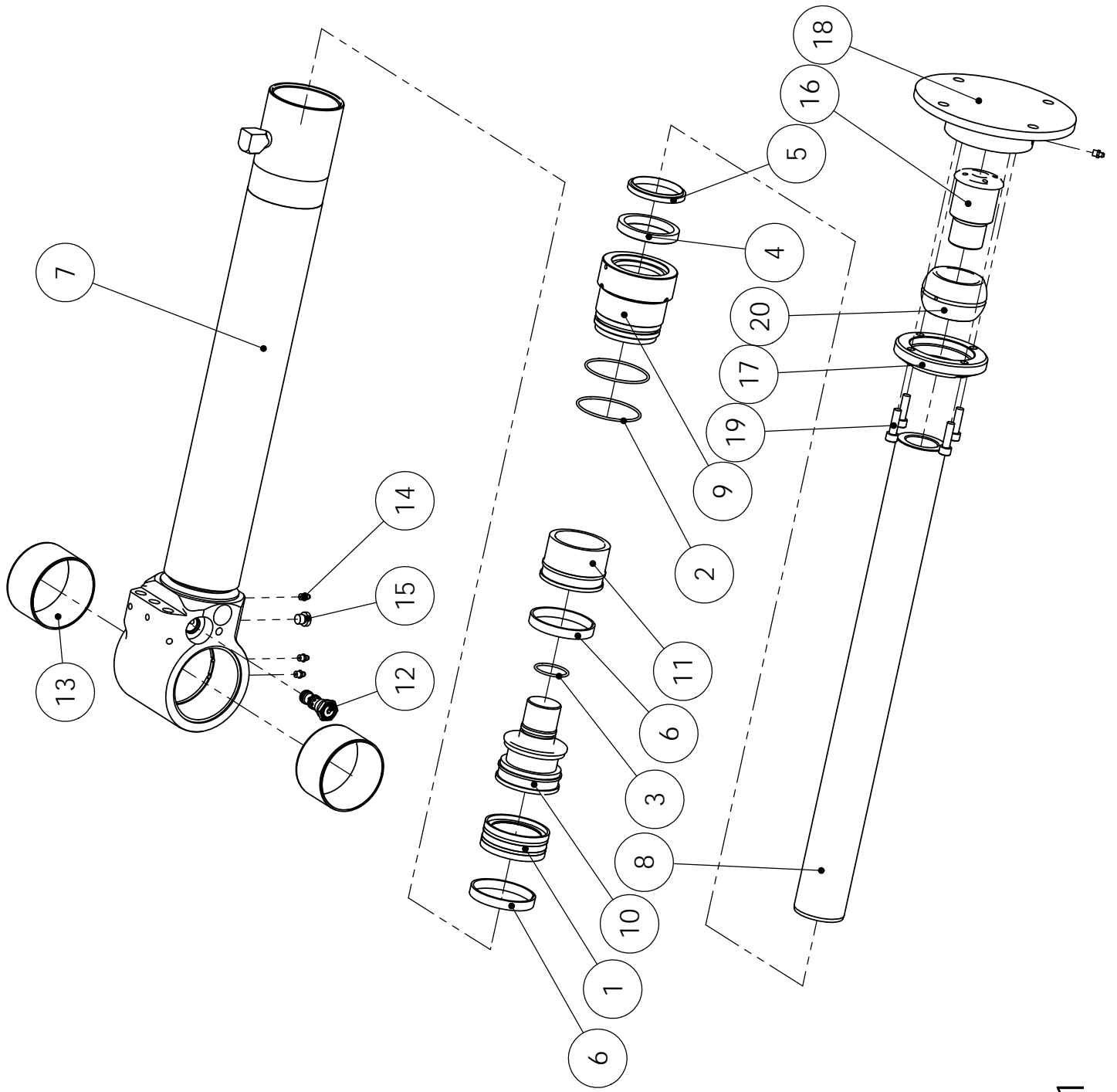
| Pos | Item code | Title          | Specification                                | Pc | Nto Weight |
|-----|-----------|----------------|--|----|------------|
| 1   | 28944001  | CYLINDER       | 90/70X520                                    | 1  | 61.28      |
| 2   | 90025017  | SPINDLE        | 30/18-179                                    | 1  | 0.63       |
| 3   | 90025018  | SLEEVE         |  | 1  | 0.26       |
| 4   | 3301574   | LEVER          | GN 310-12-125-E-NI M10                       | 1  | 0.03       |
| 5   | 3300533   | SPRING         | 18/45/7.6/6.88 -1643 SF-TF3                  | 1  | 0.02       |
| 6   | 3010604   | ALLEN SCREW    | M12X20 8.8 DIN 912                           | 1  | 0          |
| 7   | 3110040   | USIT-SEAL      | R-06 R 3/8"                                  | 4  | 0          |
| 8   | 3090901   | CONNECTOR      | 6010-06-06                                   | 4  | 0.05       |
| 100 | 3132962   | HYDRAULIC HOSE | A50005-06-06/241T-06/A50005-06-06/L=630/ TEX | 1  | 0          |

90025609  
90/70x520 LEFT ( ADJUSTABLE FOOT )



|               |                                    |          |            |
|---------------|------------------------------------|----------|------------|
| Item code     | 90025609                           | Revision | A          |
| Title         | STABILIZER                         | Date     | 19.06.2012 |
| Specification | 90/70X520 LEFT ( ADJUSTABLE FOOT ) |          |            |

| Pos | Item code | Title          | Specification                                | Pc | Nto Weight |
|-----|-----------|----------------|--|----|------------|
| 1   | 28944001  | CYLINDER       | 90/70X520                                    | 1  | 61.28      |
| 2   | 90025017  | SPINDLE        | 30/18-179                                    | 1  | 0.63       |
| 3   | 90025018  | SLEEVE         |  | 1  | 0.26       |
| 4   | 3301574   | LEVER          | GN 310-12-125-E-NI M10                       | 1  | 0.03       |
| 5   | 3300533   | SPRING         | 18/45/7.6/6.88 -1643 SF-TF3                  | 1  | 0.02       |
| 6   | 3010604   | ALLEN SCREW    | M12X20 8.8 DIN 912                           | 1  | 0          |
| 7   | 3090901   | CONNECTOR      | 6010-06-06                                   | 4  | 0.05       |
| 8   | 3110040   | USIT-SEAL      | R-06 R 3/8"                                  | 4  | 0          |
| 100 | 3132962   | HYDRAULIC HOSE | A50005-06-06/241T-06/A50005-06-06/L=630/ TEX | 1  | 0          |



28944001

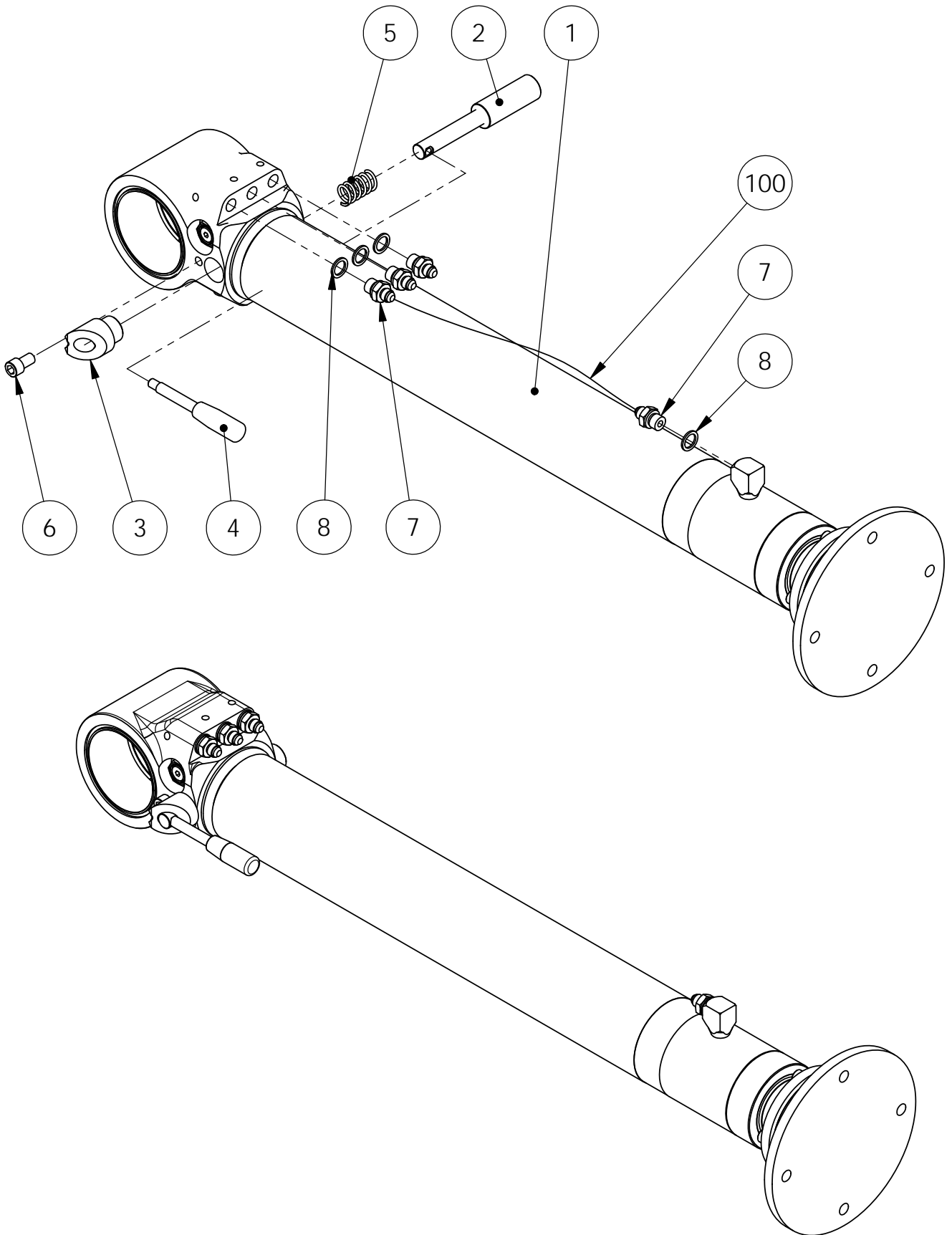


## SPARE PART LIST

|               |           |          |            |
|---------------|-----------|----------|------------|
| Item code     | 28944001  | Revision | -          |
| Title         | CYLINDER  | Date     | 30.11.2012 |
| Specification | 90/70X520 |          |            |

| Pos | Item code | Title           | Specification                 | Pc | Nto Weight |
|-----|-----------|-----------------|-------------------------------|----|------------|
| 1   | 3110025   | PISTON SEAL     | DAS 90/70X22                  | 1  | 0.5        |
| 2   | 3110017   | O-RING          | 84.5X3 90 SHORE               | 2  | 0.02       |
| 3   | 3110258   | O-RING          | 42.2X3 90 SHORE               | 1  | 0.01       |
| 4   | 3110184   | ROD SEAL        | B 70/85X12 POLYPAC BALSELE    | 1  | 0.17       |
| 5   | 3110196   | WIPER SEAL      | GA 70/80X7/10                 | 1  | 0.07       |
| 6   | 3110397   | PISTON GUIDE    | E/PWR 90/84X13                | 2  | 0.08       |
| 7   | 28865101  | CYLINDER BARREL | 90/70X500                     | 1  | 30.74      |
| 8   | 28942302  | PISTON ROD      | 70-693                        | 1  | 13.17      |
| 9   | 28358202  | GUIDANCE        | 90/70                         | 1  | 2.42       |
| 10  | 28942201  | PISTON          | 90                            | 1  | 2.46       |
| 11  | 28554105  | SLEEVE          | ISKURAJOITINHOLKKI            | 1  | 0.96       |
| 12  | 3120843   | VALVE           |                               | 1  | 0.13       |
| 13  | 3100344   | BUSHING         | WB 802 10060                  | 2  | 0.38       |
| 14  | 3050003   | GREASE NIPPLE   | M8X1.25 DIN 71412             | 4  | 0          |
| 15  | 3090211   | PLUG            |                               | 1  | 0.02       |
| 16  | 28944401  | AXLE            | 60/M47                        | 1  | 1.9        |
| 17  | 28861107  | COVER           |                               | 1  | 1.07       |
| 18  | 28861106  | BASE            |                               | 1  | 5.55       |
| 19  | 3010970   | ALLEN SCREW     | M10X35 12.9 DIN 912           | 4  | 0          |
| 20  | 3100428   | BEARING         | NIVELLAAKERIN PALLO GEF 60 ES | 1  | 1.14       |
| 1-6 | 3111025   | SEAL KIT        | 90/70                         | 1  |            |

90025610  
90/70x620 RIGHT ( ADJUSTABLE FOOT )



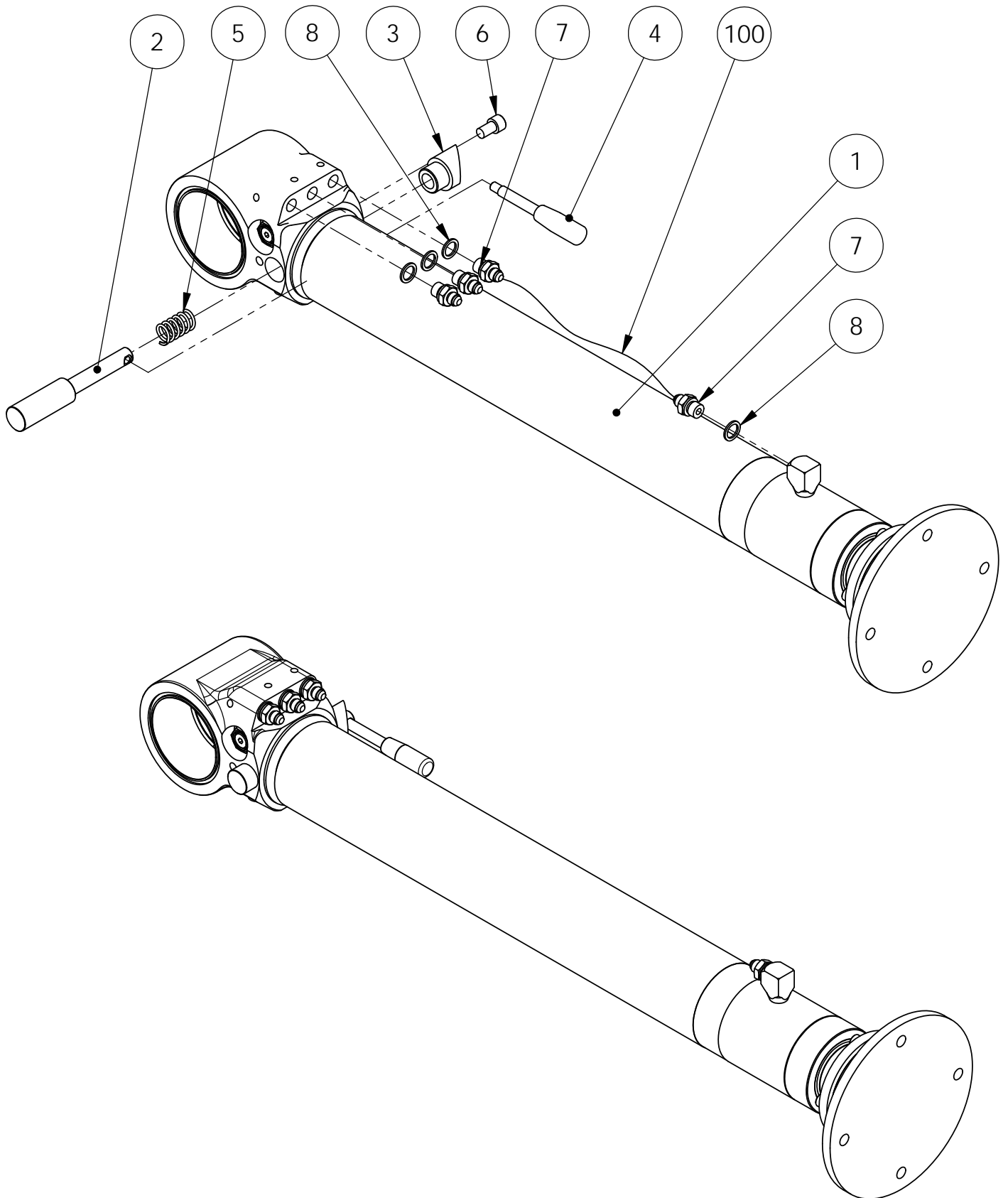


|               |                                     |          |            |
|---------------|-------------------------------------|----------|------------|
| Item code     | 90025610                            | Revision | A          |
| Title         | STABILIZER                          | Date     | 19.06.2012 |
| Specification | 90/70X620 RIGHT ( ADJUSTABLE FOOT ) |          |            |

| Pos | Item code | Title          | Specification                                | Pc | Nto Weight |
|-----|-----------|----------------|--|----|------------|
| 1   | 28945001  | CYLINDER       | 90/70X620                                    | 1  | 65.02      |
| 2   | 90025017  | SPINDLE        | 30/18-179                                    | 1  | 0.63       |
| 3   | 90025018  | SLEEVE         |  | 1  | 0.26       |
| 4   | 3301574   | LEVER          | GN 310-12-125-E-NI M10                       | 1  | 0.03       |
| 5   | 3300533   | SPRING         | 18/45/7.6/6.88 -1643 SF-TF3                  | 1  | 0.02       |
| 6   | 3010604   | ALLEN SCREW    | M12X20 8.8 DIN 912                           | 1  | 0          |
| 7   | 3090901   | CONNECTOR      | 6010-06-06                                   | 4  | 0.05       |
| 8   | 3110040   | USIT-SEAL      | R-06 R 3/8"                                  | 4  | 0          |
| 100 | 3132961   | HYDRAULIC HOSE | A50005-06-06/241T-06/A50005-06-06S/L=730/TEX | 1  |            |

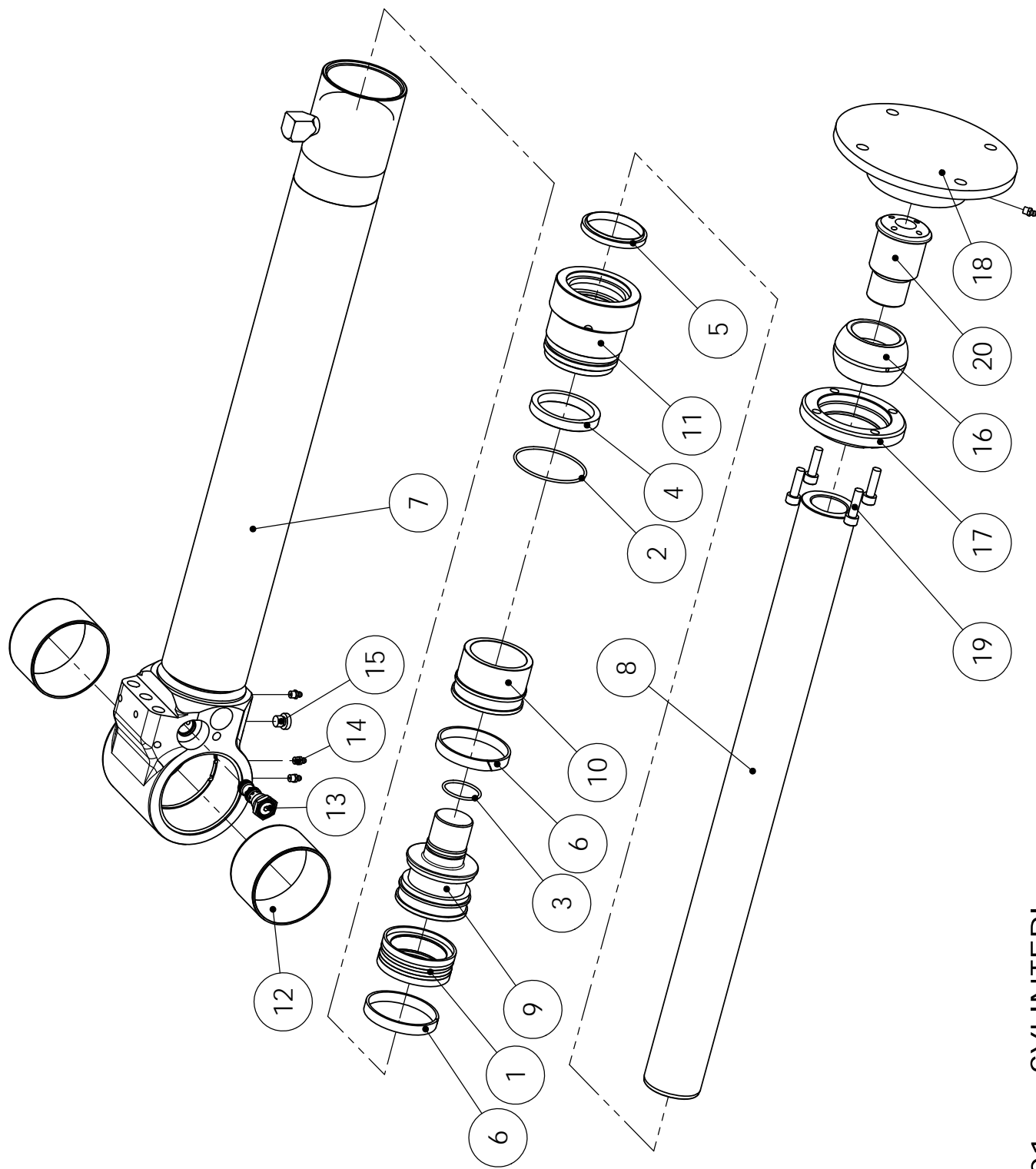
90025611

90/70x620 LEFT ( ADJUSTABLE FOOT )



|               |                                    |          |            |
|---------------|------------------------------------|----------|------------|
| Item code     | 90025611                           | Revision | A          |
| Title         | STABILIZER                         | Date     | 19.06.2012 |
| Specification | 90/70X620 LEFT ( ADJUSTABLE FOOT ) |          |            |

| Pos | Item code | Title          | Specification                                | Pc | Nto Weight |
|-----|-----------|----------------|--|----|------------|
| 1   | 28945001  | CYLINDER       | 90/70X620                                    | 1  | 65.02      |
| 2   | 90025017  | SPINDLE        | 30/18-179                                    | 1  | 0.63       |
| 3   | 90025018  | SLEEVE         |  | 1  | 0.26       |
| 4   | 3301574   | LEVER          | GN 310-12-125-E-NI M10                       | 1  | 0.03       |
| 5   | 3300533   | SPRING         | 18/45/7.6/6.88 -1643 SF-TF3                  | 1  | 0.02       |
| 6   | 3010604   | ALLEN SCREW    | M12X20 8.8 DIN 912                           | 1  | 0          |
| 7   | 3090901   | CONNECTOR      | 6010-06-06                                   | 4  | 0.05       |
| 8   | 3110040   | USIT-SEAL      | R-06 R 3/8"                                  | 4  | 0          |
| 100 | 3132961   | HYDRAULIC HOSE | A50005-06-06/241T-06/A50005-06-06S/L=730/TEX | 1  |            |



28945001 SYLINTERI

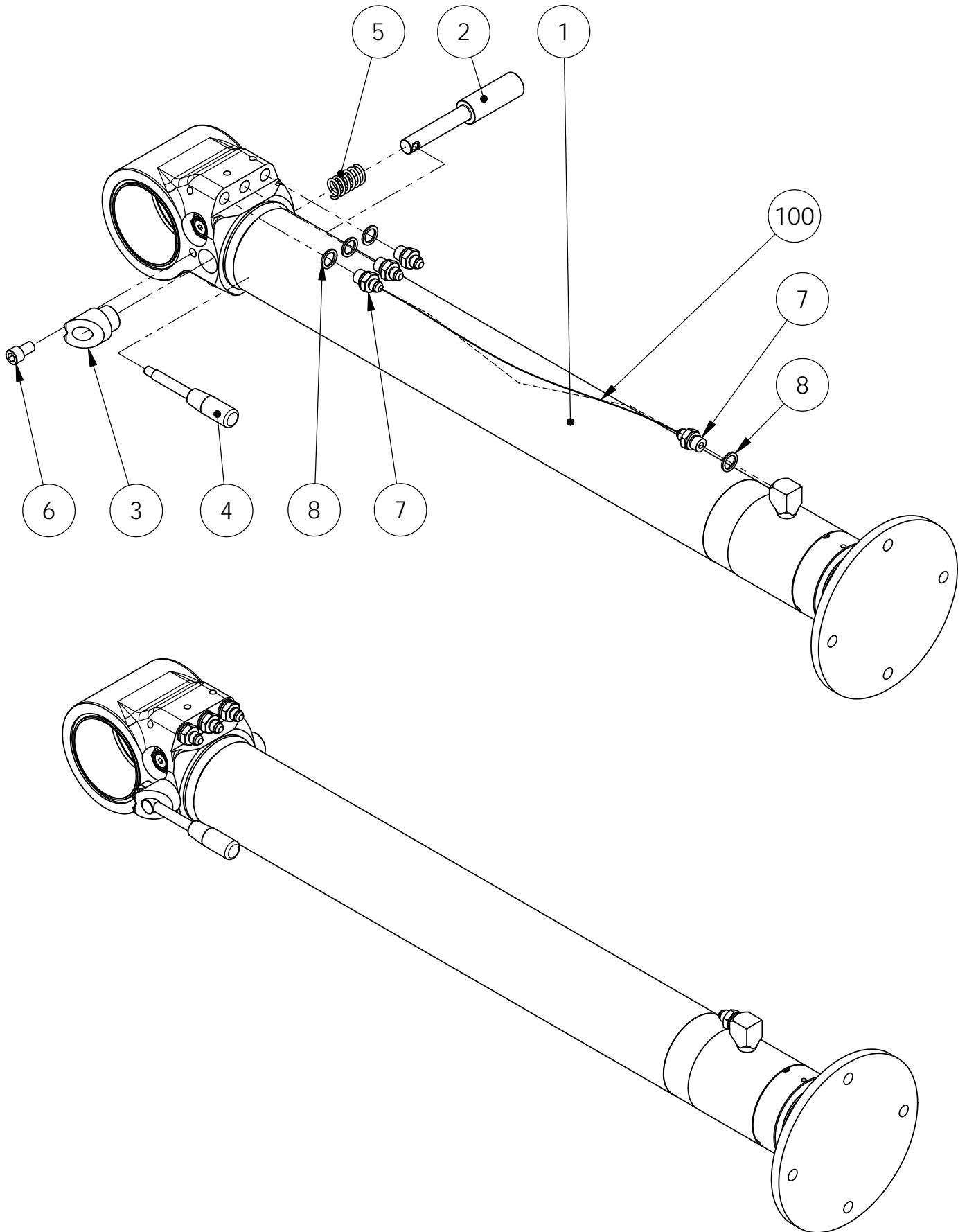


## SPARE PART LIST

|               |           |          |            |
|---------------|-----------|----------|------------|
| Item code     | 28945001  | Revision | -          |
| Title         | CYLINDER  | Date     | 15.01.2013 |
| Specification | 90/70X620 |          |            |

| Pos | Item code | Title           | Specification                 | Pc | Nto Weight |
|-----|-----------|-----------------|-------------------------------|----|------------|
| 1   | 3110025   | PISTON SEAL     | DAS 90/70X22                  | 1  | 0.5        |
| 2   | 3110017   | O-RING          | 84.5X3 90 SHORE               | 2  | 0.02       |
| 3   | 3110258   | O-RING          | 42.2X3 90 SHORE               | 1  | 0.01       |
| 4   | 3110184   | ROD SEAL        | B 70/85X12 POLYPAC BALSELE    | 1  | 0.17       |
| 5   | 3110196   | WIPER SEAL      | GA 70/80X7/10                 | 1  | 0.07       |
| 6   | 3110397   | PISTON GUIDE    | E/PWR 90/84X13                | 2  | 0.08       |
| 7   | 28861101  | CYLINDER BARREL | 90/70X600                     | 1  | 32.54      |
| 8   | 28943302  | PISTON ROD      | 70-793                        | 1  | 15.11      |
| 9   | 28942201  | PISTON          | 90                            | 1  | 2.46       |
| 10  | 28554105  | SLEEVE          | ISKURAJOITINHOLKKI            | 1  | 0.96       |
| 11  | 28358202  | GUIDANCE        | 90/70                         | 1  | 2.42       |
| 12  | 3100344   | BUSHING         | WB 802 10060                  | 2  | 0.38       |
| 13  | 3120843   | VALVE           |                               | 1  | 0.13       |
| 14  | 3050003   | GREASE NIPPLE   | M8X1.25 DIN 71412             | 4  | 0          |
| 15  | 3090211   | PLUG            |                               | 1  | 0.02       |
| 16  | 3100428   | BEARING         |                               | 1  | 1.14       |
| 17  | 28861107  | COVER           | NIVELLAAKERIN PALLO GEF 60 ES | 1  | 1.07       |
| 18  | 28861106  | BASE            |                               | 1  | 5.55       |
| 19  | 3010970   | ALLEN SCREW     | M10X35 12.9 DIN 912           | 4  | 0          |
| 20  | 28944401  | AXLE            | 60/M47                        | 1  | 1.9        |
| 1-6 | 3111025   | SEAL KIT        | 90/70                         | 1  |            |

90026032  
90/70x720 RIGHT ( FIXED FOOT )

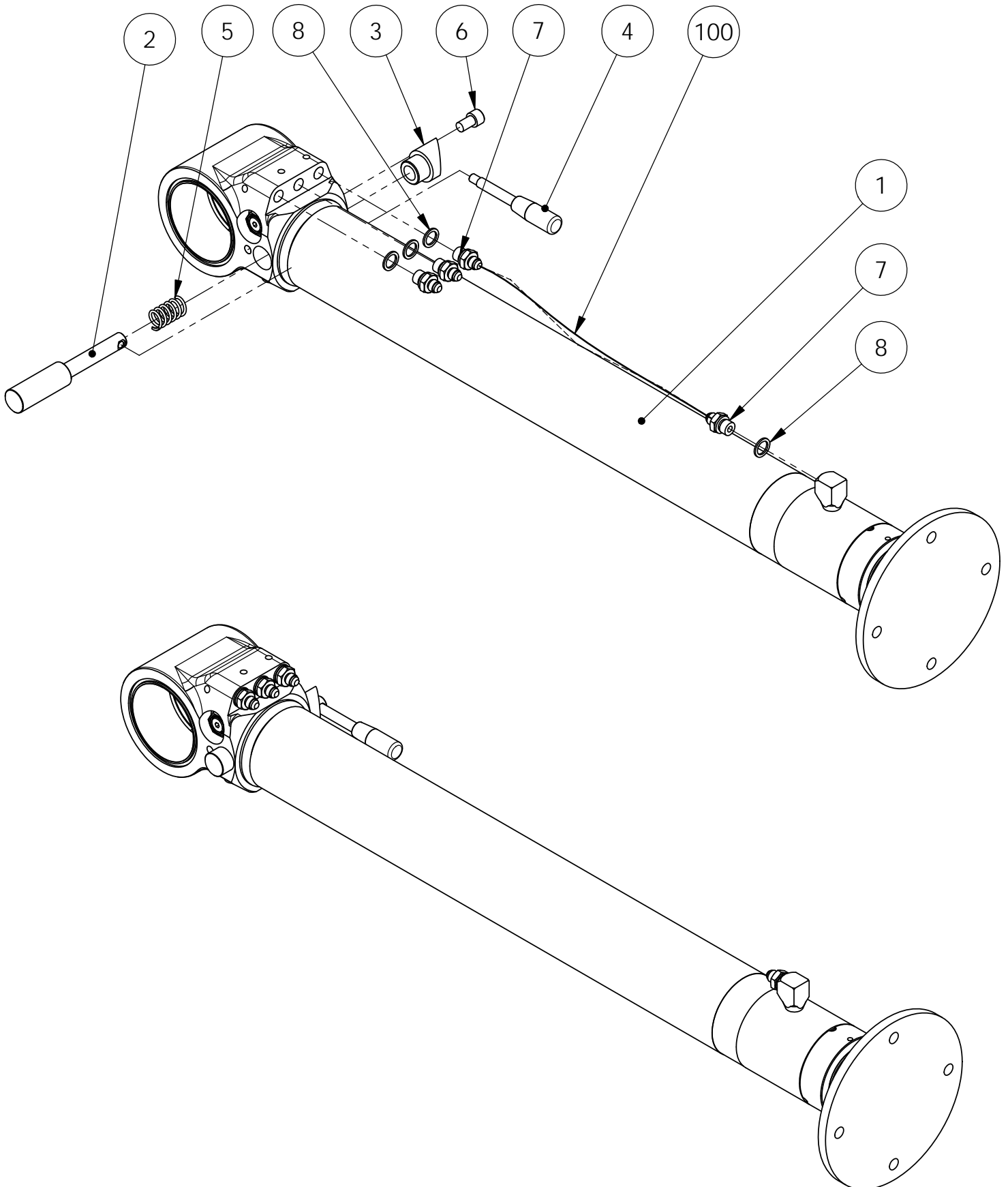


|               |                 |          |            |
|---------------|-----------------|----------|------------|
| Item code     | 90026032        | Revision | -          |
| Title         | STABILIZER      | Date     | 15.01.2013 |
| Specification | 90/70X720 RIGHT |          |            |

| Pos | Item code | Title          | Specification                               | Pc | Nto Weight |
|-----|-----------|----------------|---|----|------------|
| 1   | 28949001  | CYLINDER       | 90/70X720                                   | 1  | 65.15      |
| 2   | 90025017  | SPINDLE        | 30/18-179                                   | 1  | 0.63       |
| 3   | 90025018  | SLEEVE         |   | 1  | 0.26       |
| 4   | 3301574   | LEVER          | GN 310-12-125-E-NI M10                      | 1  | 0.03       |
| 5   | 3300533   | SPRING         | 18/45/7.6/6.88 -1643 SF-TF3                 | 1  | 0.02       |
| 6   | 3010604   | ALLEN SCREW    | M12X20 8.8 DIN 912                          | 1  | 0          |
| 7   | 3090901   | CONNECTOR      | 6010-06-06                                  | 4  | 0.05       |
| 8   | 3110040   | USIT-SEAL      | R-06 R 3/8"                                 | 4  | 0          |
| 100 | 3133273   | HYDRAULIC HOSE | A50005-06-06/241T-06/A50005-06-06/L=830/TEX | 1  | 0          |

90026033

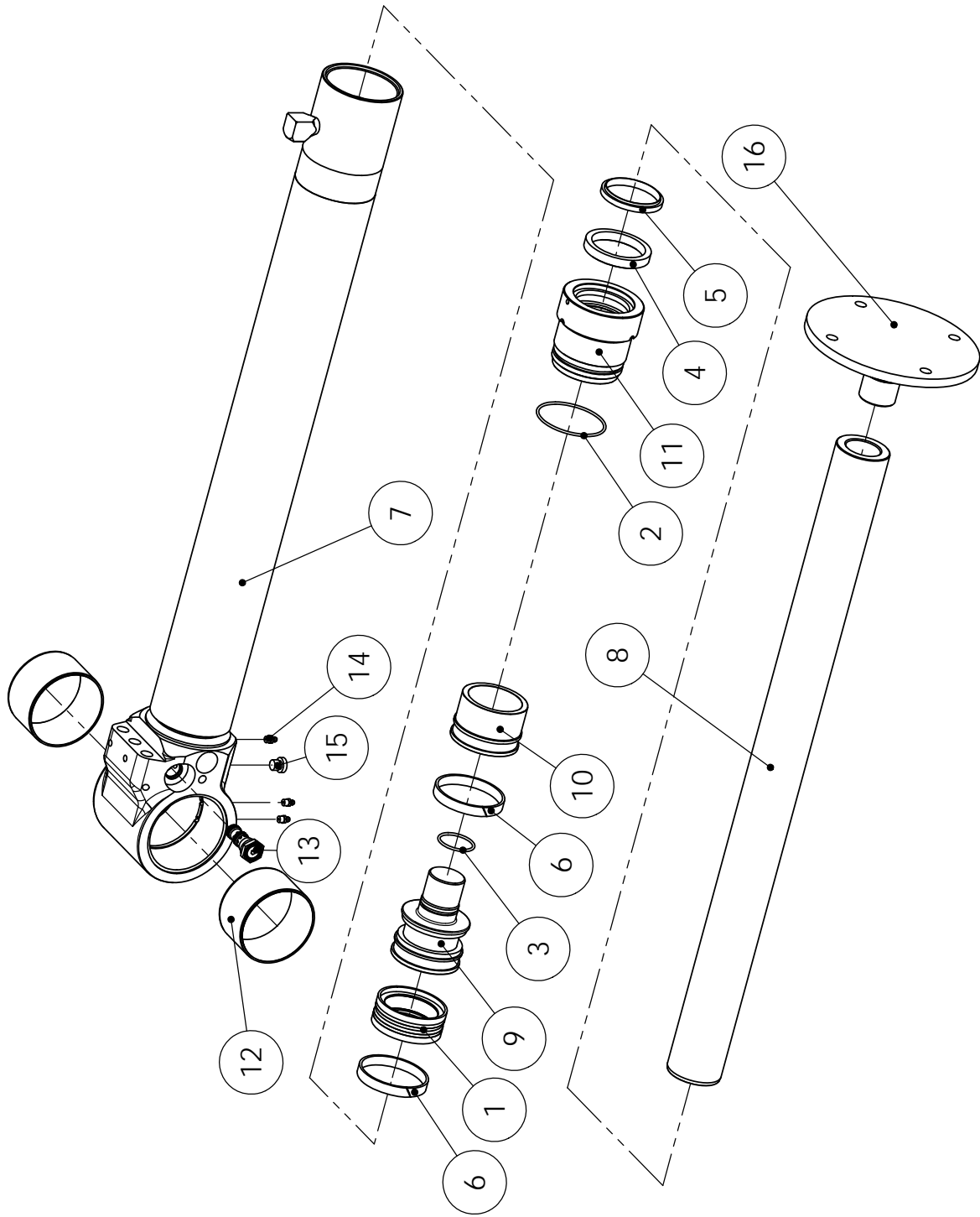
90/70x720 LEFT ( FIXED FOOT )





|               |                |          |            |
|---------------|----------------|----------|------------|
| Item code     | 90026033       | Revision | -          |
| Title         | STABILIZER     | Date     | 15.01.2013 |
| Specification | 90/70X720 LEFT |          |            |

| Pos | Item code | Title          | Specification                               | Pc | Nto Weight |
|-----|-----------|----------------|---|----|------------|
| 1   | 28949001  | CYLINDER       | 90/70X720                                   | 1  | 65.15      |
| 2   | 90025017  | SPINDLE        | 30/18-179                                   | 1  | 0.63       |
| 3   | 90025018  | SLEEVE         |   | 1  | 0.26       |
| 4   | 3301574   | LEVER          | GN 310-12-125-E-NI M10                      | 1  | 0.03       |
| 5   | 3300533   | SPRING         | 18/45/7.6/6.88 -1643 SF-TF3                 | 1  | 0.02       |
| 6   | 3010604   | ALLEN SCREW    | M12X20 8.8 DIN 912                          | 1  | 0          |
| 7   | 3090901   | CONNECTOR      | 6010-06-06                                  | 4  | 0.05       |
| 8   | 3110040   | USIT-SEAL      | R-06 R 3/8"                                 | 4  | 0          |
| 100 | 3133273   | HYDRAULIC HOSE | A50005-06-06/241T-06/A50005-06-06/L=830/TEX | 1  | 0          |



## 28949001 SYLINTERI

VARAOSAT \ RESERVDELAR \ SPARE PARTS \ ERSATZTEIL



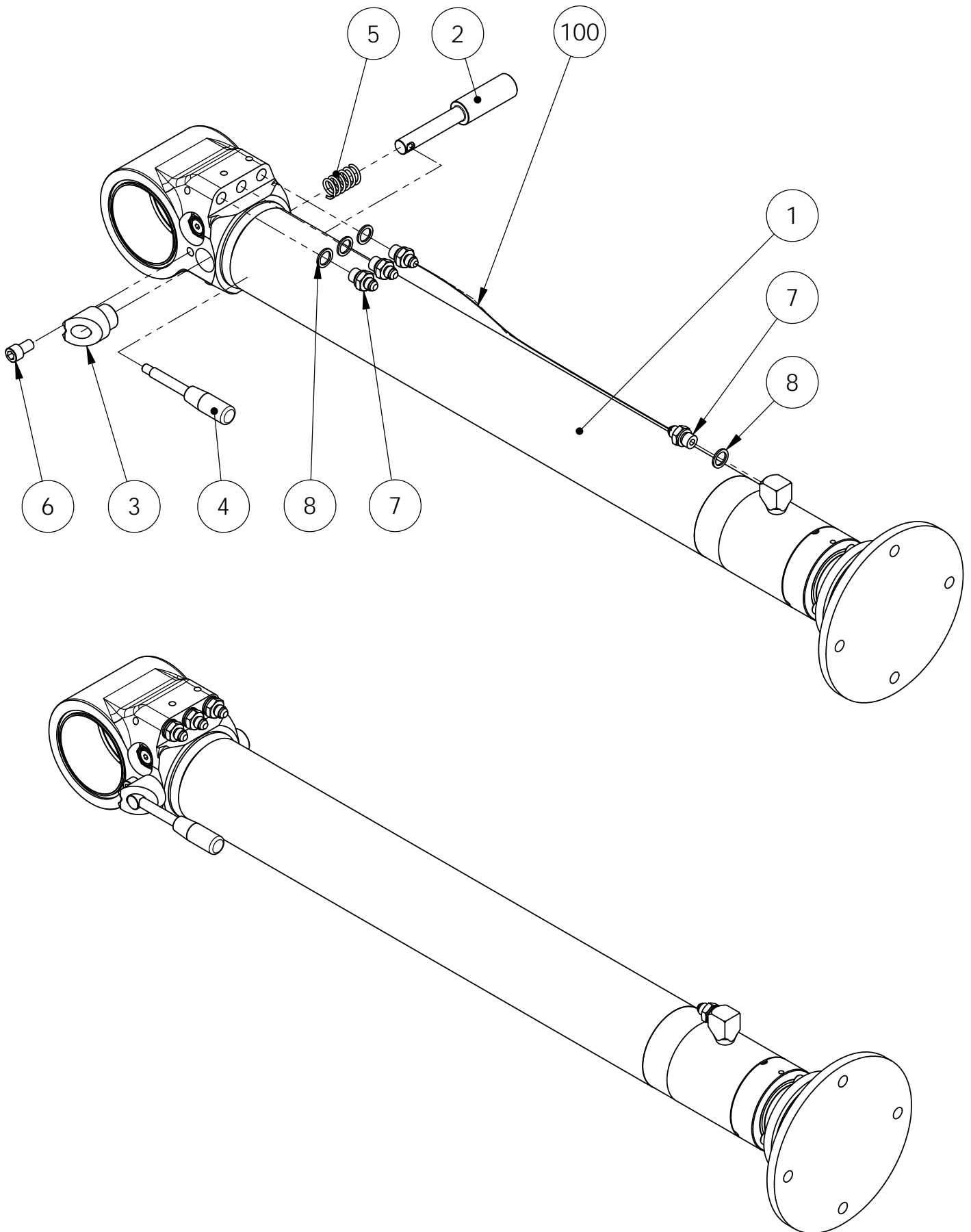
## SPARE PART LIST

|               |           |          |            |
|---------------|-----------|----------|------------|
| Item code     | 28949001  | Revision | -          |
| Title         | CYLINDER  | Date     | 13.02.2013 |
| Specification | 90/70X720 |          |            |

| Pos | Item code | Title           | Specification              | Pc | Nto Weight |
|-----|-----------|-----------------|----------------------------|----|------------|
| 1   | 3110025   | PISTON SEAL     | DAS 90/70X22               | 1  | 0.5        |
| 2   | 3110017   | O-RING          | 84.5X3 90 SHORE            | 1  | 0.02       |
| 3   | 3110258   | O-RING          | 42.2X3 90 SHORE            | 1  | 0.01       |
| 4   | 3110184   | ROD SEAL        | B 70/85X12 POLYPAC BALSELE | 1  | 0.17       |
| 5   | 3110196   | WIPER SEAL      | GA 70/80X7/10              | 1  | 0.07       |
| 6   | 3110397   | PISTON GUIDE    | E/PWR 90/84X13             | 2  | 0.08       |
| 7   | 28949101  | CYLINDER BARREL | 90/70X720                  | 1  | 34.35      |
| 8   | 28949302  | PISTON ROD      | 70-893                     | 1  | 17.04      |
| 9   | 28942201  | PISTON          | 90                         | 1  | 2.46       |
| 10  | 28554105  | SLEEVE          | ISKURAJOITINHOLKKI         | 1  | 0.96       |
| 11  | 28358202  | GUIDANCE        | 90/70                      | 1  | 2.42       |
| 12  | 3100344   | BUSHING         | WB 802 10060               | 2  | 0.38       |
| 13  | 3120843   | VALVE           |                            | 1  | 0.13       |
| 14  | 3050003   | GREASE NIPPLE   | M8X1.25 DIN 71412          | 3  | 0          |
| 15  | 3090211   | PLUG            |                            | 1  | 0.02       |
| 16  | 28942106  | BASE            | TUKIJALKA                  | 1  | 6.07       |
| 1-6 | 3111025   | SEAL KIT        | 90/70                      | 1  |            |

90026034

90/70x720 RIGHT ( ADJUSTABLE FOOT )

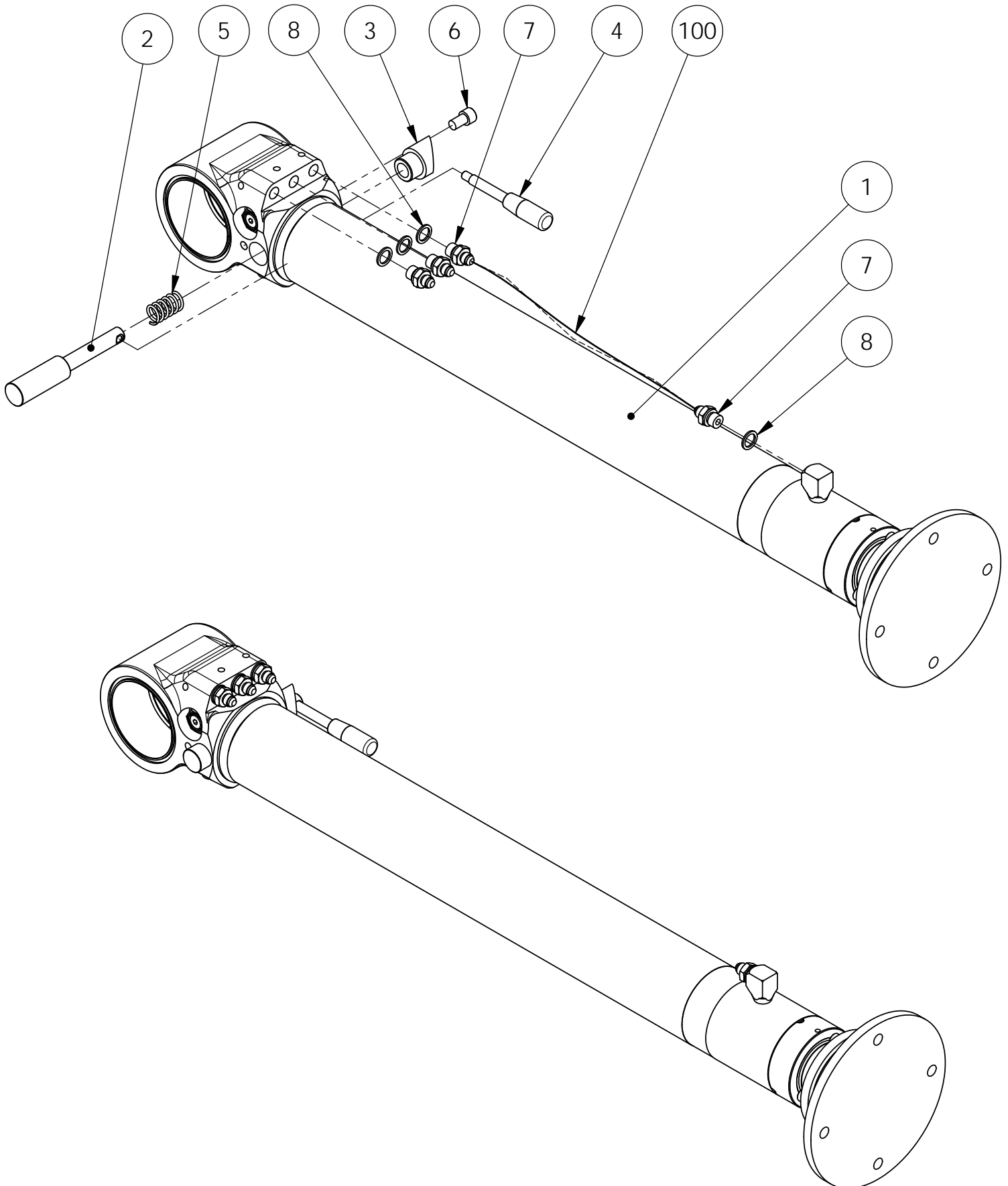


|               |                 |          |            |
|---------------|-----------------|----------|------------|
| Item code     | 90026034        | Revision | -          |
| Title         | STABILIZER      | Date     | 16.01.2013 |
| Specification | 90/70X720 RIGHT |          |            |

| Pos | Item code | Title          | Specification                               | Pc | Nto Weight |
|-----|-----------|----------------|---|----|------------|
| 1   | 28950001  | CYLINDER       | 90/70X720                                   | 1  | 68.74      |
| 2   | 90025017  | SPINDLE        | 30/18-179                                   | 1  | 0.63       |
| 3   | 90025018  | SLEEVE         |   | 1  | 0.26       |
| 4   | 3301574   | LEVER          | GN 310-12-125-E-NI M10                      | 1  | 0.03       |
| 5   | 3300533   | SPRING         | 18/45/7.6/6.88 -1643 SF-TF3                 | 1  | 0.02       |
| 6   | 3010604   | ALLEN SCREW    | M12X20 8.8 DIN 912                          | 1  | 0          |
| 7   | 3090901   | CONNECTOR      | 6010-06-06                                  | 4  | 0.05       |
| 8   | 3110040   | USIT-SEAL      | R-06 R 3/8"                                 | 4  | 0          |
| 100 | 3133273   | HYDRAULIC HOSE | A50005-06-06/241T-06/A50005-06-06/L=830/TEX | 1  | 0          |

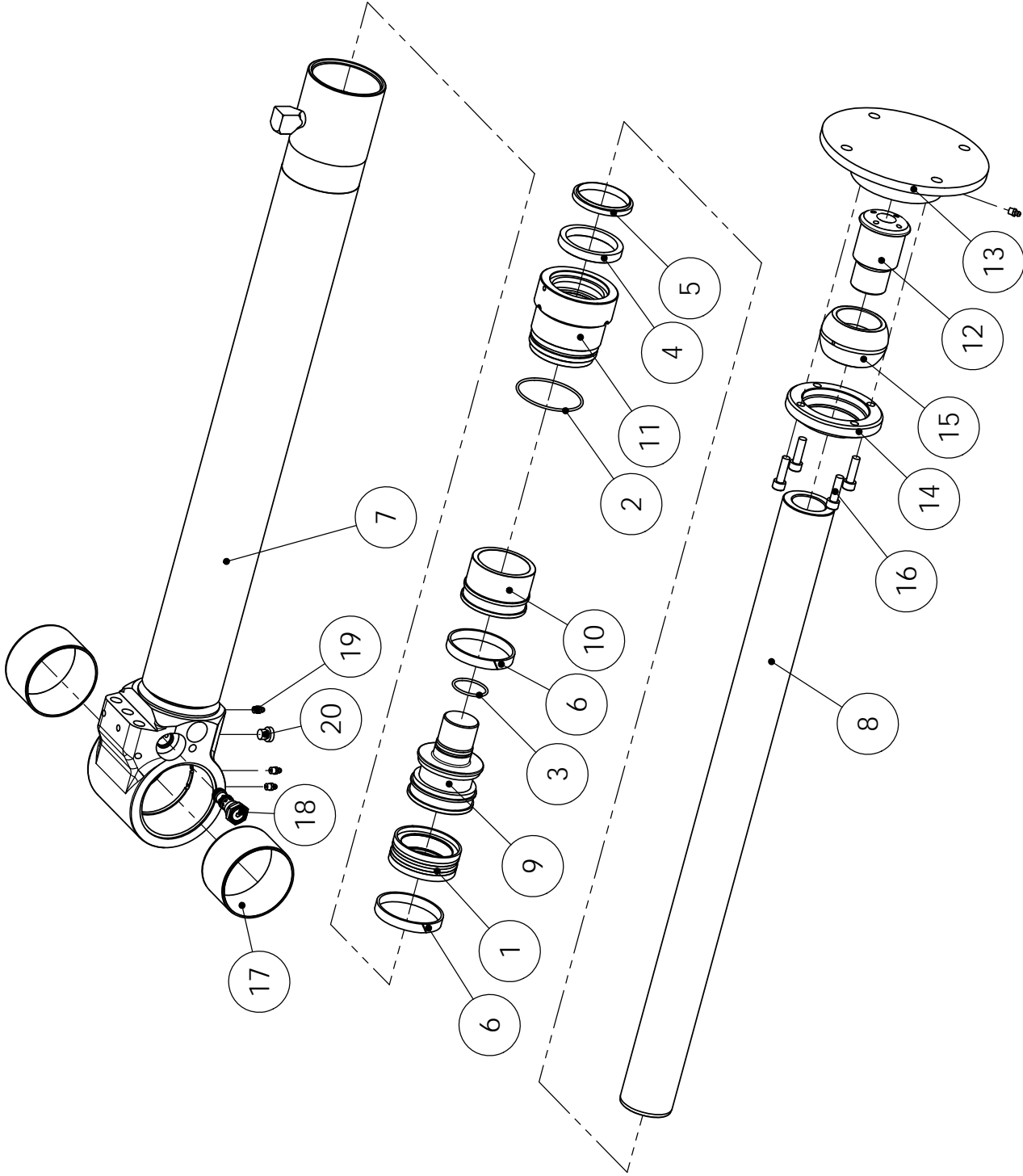
90026035

90/70x720 LEFT ( ADJUSTABLE FOOT )



|               |                |          |            |
|---------------|----------------|----------|------------|
| Item code     | 90026035       | Revision | -          |
| Title         | STABILIZER     | Date     | 16.01.2013 |
| Specification | 90/70X720 LEFT |          |            |

| Pos | Item code | Title          | Specification                               | Pc | Nto Weight |
|-----|-----------|----------------|---|----|------------|
| 1   | 28950001  | CYLINDER       | 90/70X720                                   | 1  | 68.74      |
| 2   | 90025017  | SPINDLE        | 30/18-179                                   | 1  | 0.63       |
| 3   | 90025018  | SLEEVE         |   | 1  | 0.26       |
| 4   | 3301574   | LEVER          | GN 310-12-125-E-NI M10                      | 1  | 0.03       |
| 5   | 3300533   | SPRING         | 18/45/7.6/6.88 -1643 SF-TF3                 | 1  | 0.02       |
| 6   | 3010604   | ALLEN SCREW    | M12X20 8.8 DIN 912                          | 1  | 0          |
| 7   | 3090901   | CONNECTOR      | 6010-06-06                                  | 4  | 0.05       |
| 8   | 3110040   | USIT-SEAL      | R-06 R 3/8"                                 | 4  | 0          |
| 100 | 3133273   | HYDRAULIC HOSE | A50005-06-06/241T-06/A50005-06-06/L=830/TEX | 1  | 0          |



28950001 SYLINTERI

VARAOSAT \ RESERVDELAR \ SPARE PARTS \ ERSATZTEIL

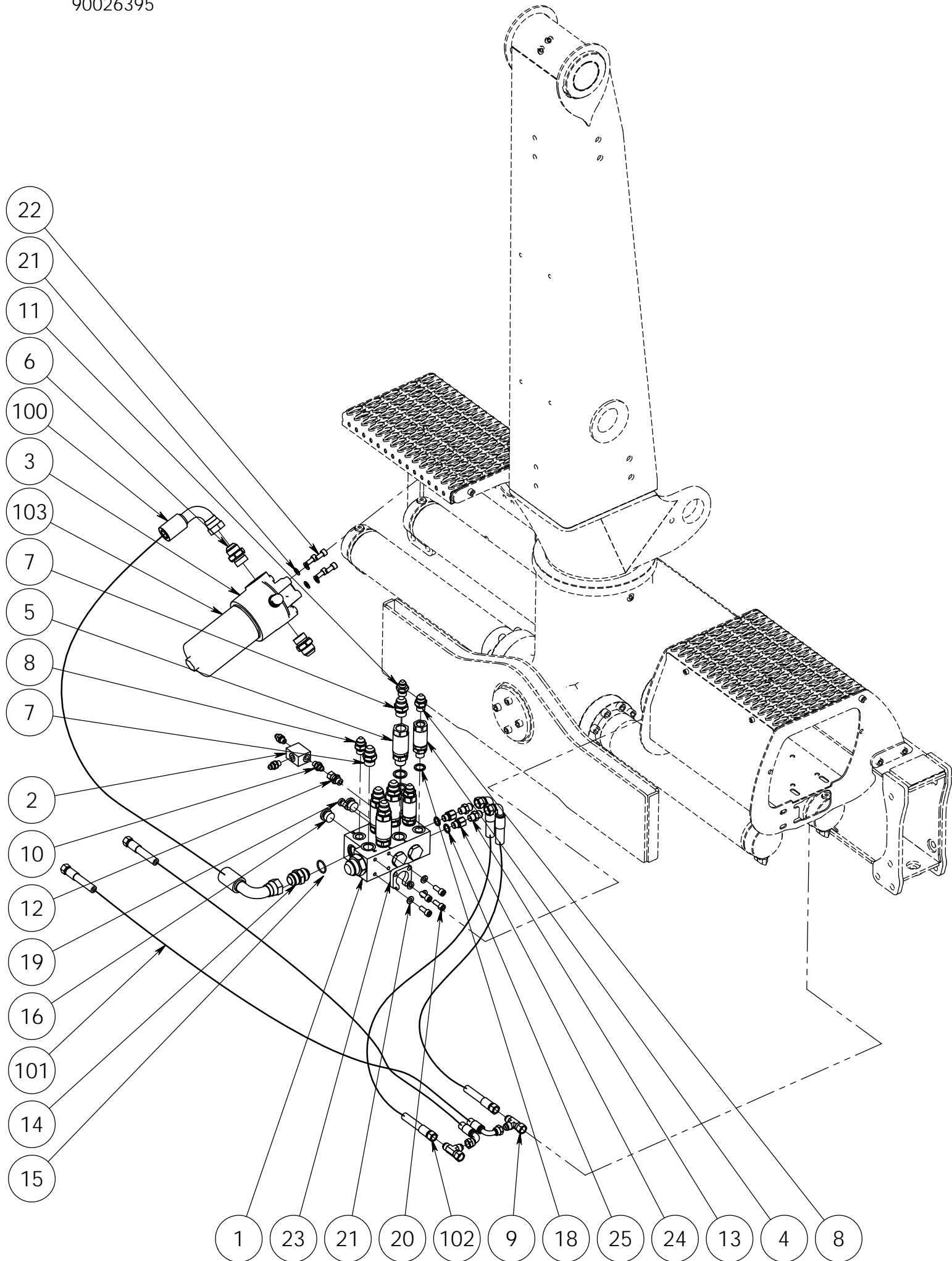




## SPARE PART LIST

|               |           |          |            |
|---------------|-----------|----------|------------|
| Item code     | 28950001  | Revision | -          |
| Title         | CYLINDER  | Date     | 13.02.2013 |
| Specification | 90/70X720 |          |            |

| Pos | Item code | Title           | Specification                 | Pc | Nto Weight |
|-----|-----------|-----------------|-------------------------------|----|------------|
| 1   | 3110025   | PISTON SEAL     | DAS 90/70X22                  | 1  | 0.5        |
| 2   | 3110017   | O-RING          | 84.5X3 90 SHORE               | 1  | 0.02       |
| 3   | 3110258   | O-RING          | 42.2X3 90 SHORE               | 1  | 0.01       |
| 4   | 3110184   | ROD SEAL        | B 70/85X12 POLYPAC BALSELE    | 1  | 0.17       |
| 5   | 3110196   | WIPER SEAL      | GA 70/80X7/10                 | 1  | 0.07       |
| 6   | 3110397   | PISTON GUIDE    | E/PWR 90/84X13                | 2  | 0.08       |
| 7   | 28949101  | CYLINDER BARREL | 90/70X720                     | 1  | 34.35      |
| 8   | 28949302  | PISTON ROD      | 70-893                        | 1  | 17.04      |
| 9   | 28942201  | PISTON          | 90                            | 1  | 2.46       |
| 10  | 28554105  | SLEEVE          | ISKURAJOITINHOLKKI            | 1  | 0.96       |
| 11  | 28358202  | GUIDANCE        | 90/70                         | 1  | 2.42       |
| 12  | 28944401  | AXLE            | 60/M47                        | 1  | 1.9        |
| 13  | 28861106  | BASE            |                               | 1  | 5.55       |
| 14  | 28861107  | COVER           |                               | 1  | 1.07       |
| 15  | 3100428   | BEARING         |                               | 1  | 1.14       |
| 16  | 3010970   | ALLEN SCREW     | NIVELLAAKERIN PALLO GEF 60 ES | 4  | 0          |
| 17  | 3100344   | BUSHING         | M10X35 12.9 DIN 912           | 2  | 0.38       |
| 18  | 3120843   | VALVE           | WB 802 10060                  | 1  | 0.13       |
| 19  | 3050003   | GREASE NIPPLE   |                               | 4  | 0          |
| 20  | 3090211   | PLUG            | M8X1,25 DIN 71412             | 1  | 0.02       |
| 1-6 | 3111025   | SEAL KIT        | 90/70                         | 1  |            |



|               |                     |          |            |
|---------------|---------------------|----------|------------|
| Item code     | 90026395            | Revision | B          |
| Title         | ASSEMBLY            | Date     | 10.05.2013 |
| Specification | LOWER HYDRAULICS LS |          |            |

| Pos | Item code | Title                | Specification                                  | Pc | Nto Weight |
|-----|-----------|----------------------|--|----|------------|
| 1   | 90026291  | BLOCK                |  | 1  | 10.69      |
| 2   | 3120922   | SHUTTLE VALVE        |  | 1  | 0.41       |
| 3   | 3091286   | PRESSURE FILTER      |  | 1  | 24.96      |
| 4   | 3090930   | CONNECTOR            | INDEXATOR 1/2" 5001285                         | 3  | 0.53       |
| 5   | 3090931   | CONNECTOR            | INDEXATOR 3/4" 5001291                         | 4  | 0.7        |
| 6   | 3090984   | CONNECTOR            | 6010-16-16                                     | 2  | 0.25       |
| 7   | 3090290   | CONNECTOR            | 6010-12-12                                     | 5  | 0.16       |
| 8   | 3090289   | CONNECTOR            | 29-6010-08-10                                  | 3  | 0.11       |
| 9   | 3090974   | CONNECTOR            | 1230-08-08-08                                  | 2  | 0.13       |
| 10  | 3090462   | CONNECTOR            | 6010-04-06                                     | 3  | 0.04       |
| 11  | 3090485   | CONNECTOR            | 6010-08-08                                     | 1  | 0.09       |
| 12  | 3090961   | CONNECTOR            | 6030-06-06                                     | 1  | 0.07       |
| 13  | 3090604   | CONNECTOR            | 6010-06-08                                     | 2  | 0.07       |
| 14  | 3091440   | CONNECTOR (STRAIGHT) | 29-1010-16-16                                  | 1  | 0.22       |
| 15  | 3110115   | O-RING               | 29.2X3 90 SHORE                                | 1  | 0.01       |
| 16  | 3090209   | PLUG                 |  | 2  | 0.08       |
| 17  | 3110130   | USIT-SEAL            | R-12 R 3/4"                                    | 4  | 0.01       |
| 18  | 3110042   | USIT-SEAL            | R-08 R 1/2"                                    | 3  | 0.01       |
| 19  | 3090211   | PLUG                 |  | 1  | 0.02       |
| 20  | 3010685   | ALLEN SCREW          | M10X25 8.8 ZN DIN 912                          | 4  | 0          |
| 21  | 3030065   | WASHER               | M10 ZN DIN 125                                 | 8  | 0          |
| 22  | 3010192   | ALLEN SCREW          | M10X20 8.8 ZN DIN 912                          | 4  | 0          |
| 23  | 90026730  | STAND                | 60X60X12                                       | 1  | 0.15       |
| 24  | 21511855  | CONNECTOR            | R 3/8" / R 3/8" -33                            | 2  | 0.06       |
| 25  | 3110040   | USIT-SEAL            | R-06 R 3/8"                                    | 2  | 0          |
| 100 | 3133318   | HYDRAULIC HOSE       | A50054-16-16S/712L-16/A50054-16-16S/L=1500 TEX | 1  |            |
| 101 | 3133301   | HYDRAULIC HOSE       | A50005-08-06/261E-06/A50054-08-06/L=1700 TEX   | 2  |            |
| 102 | 3133471   | HYDRAULIC HOSE       | A50005-08-08/261E-08/A50054-08-08/L=600 TEX    | 2  |            |
| 103 | 3090885   | CARTRIDGE            |  | 1  | 6.32       |